

**ILLUSTRATED
PARTS LIST**

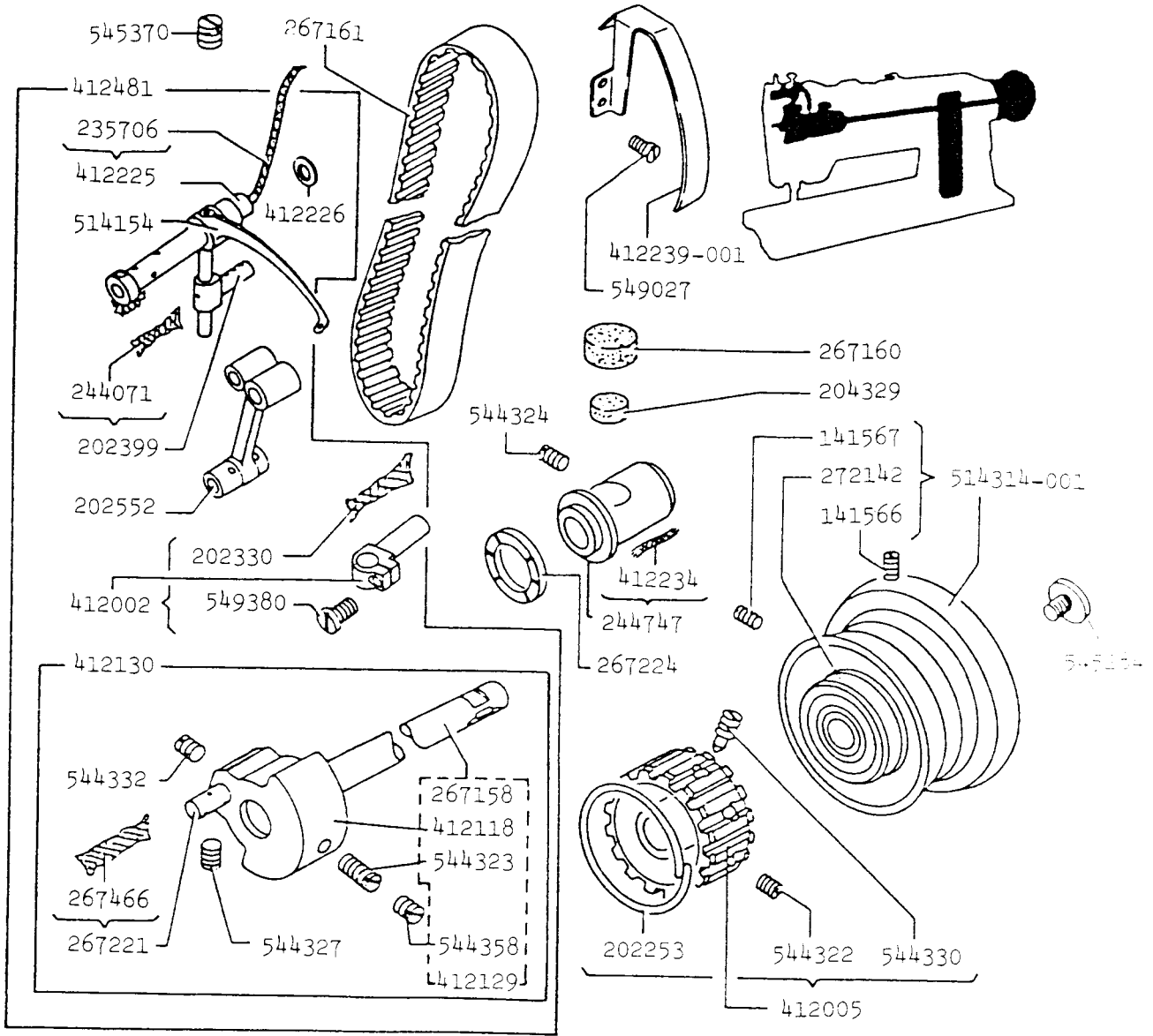
FOR

SINGER

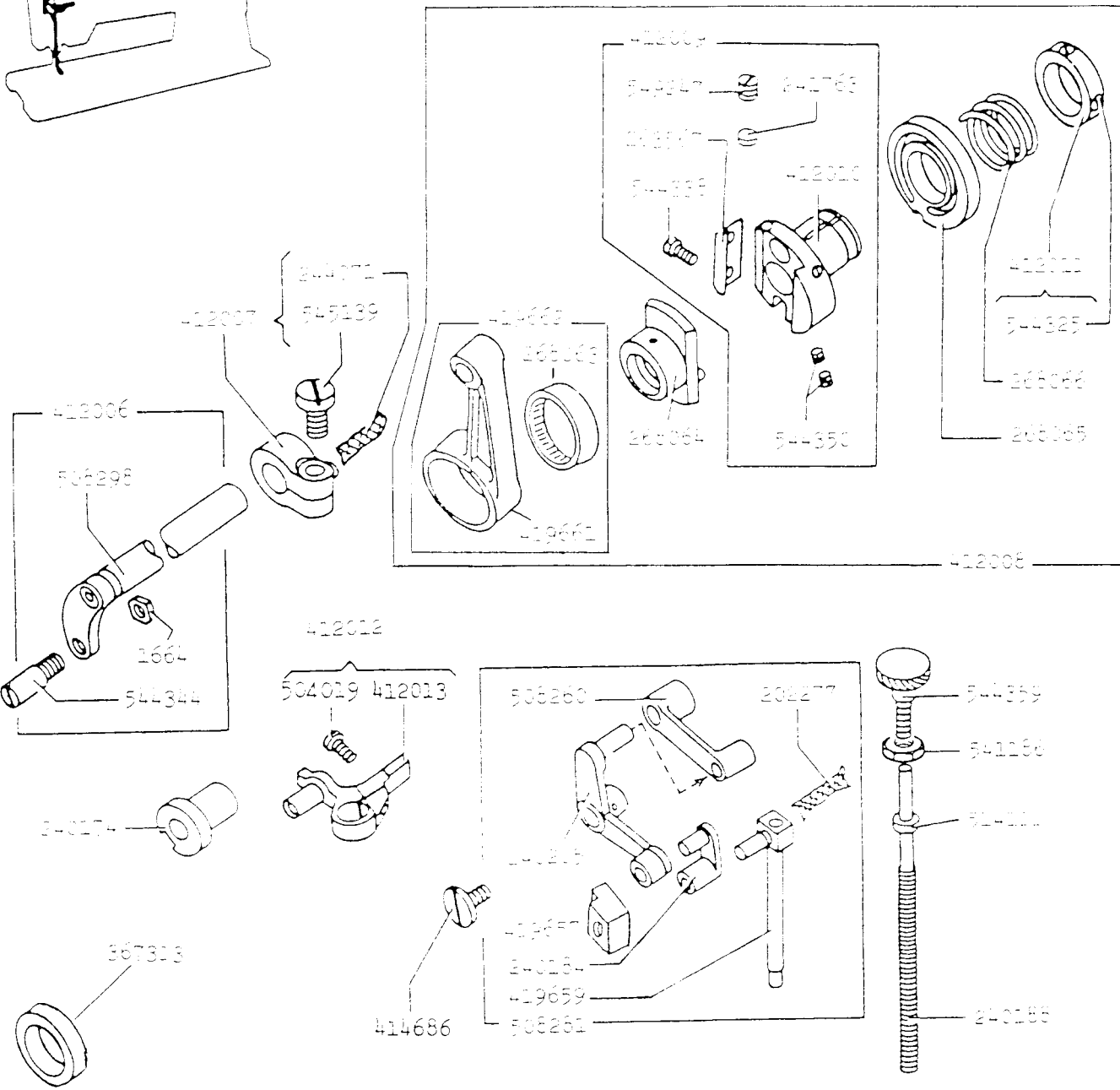
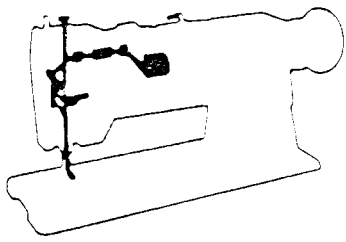
MACHINE

212A539AA

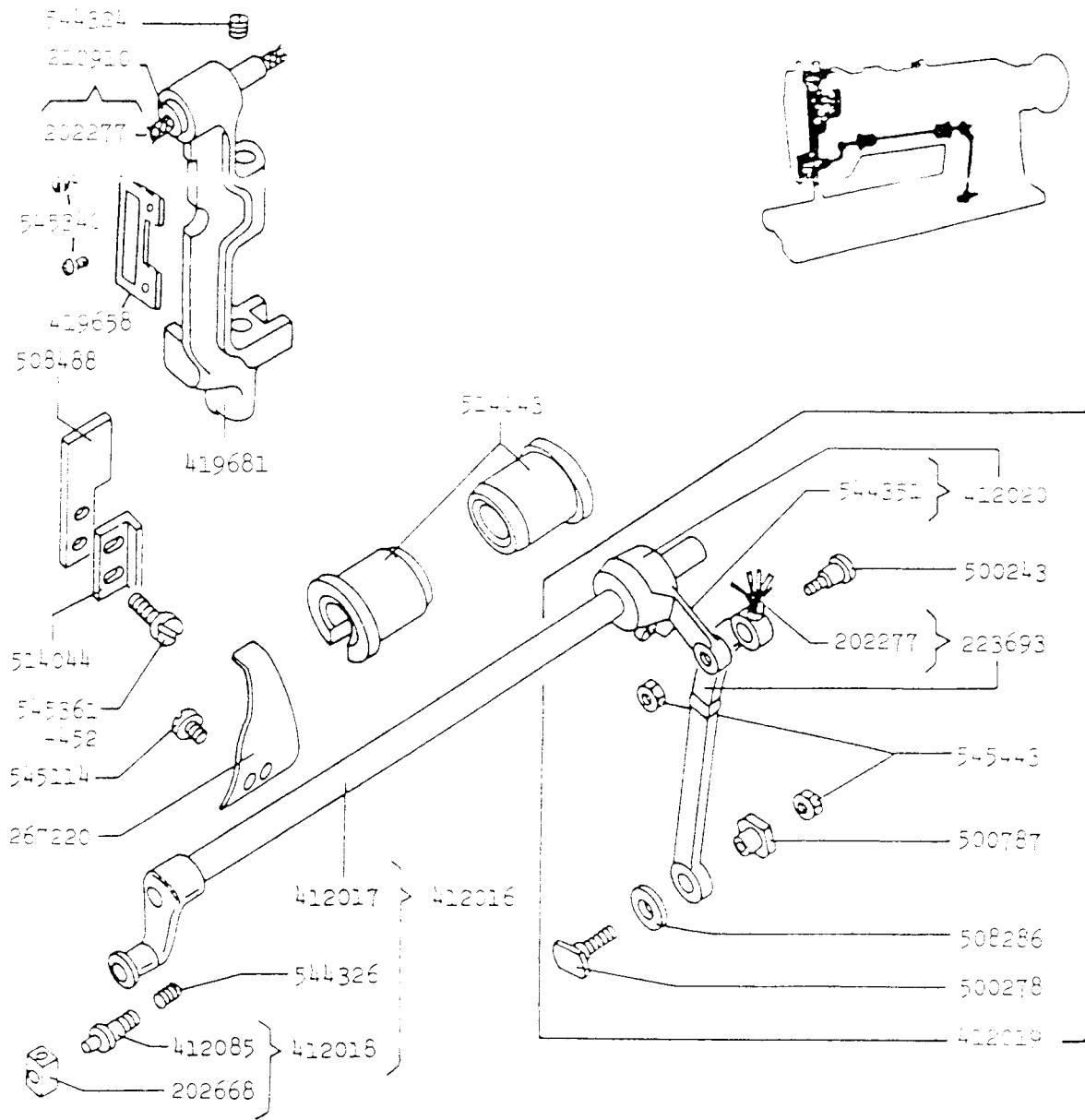
From the library of: Diamond Needle Corp



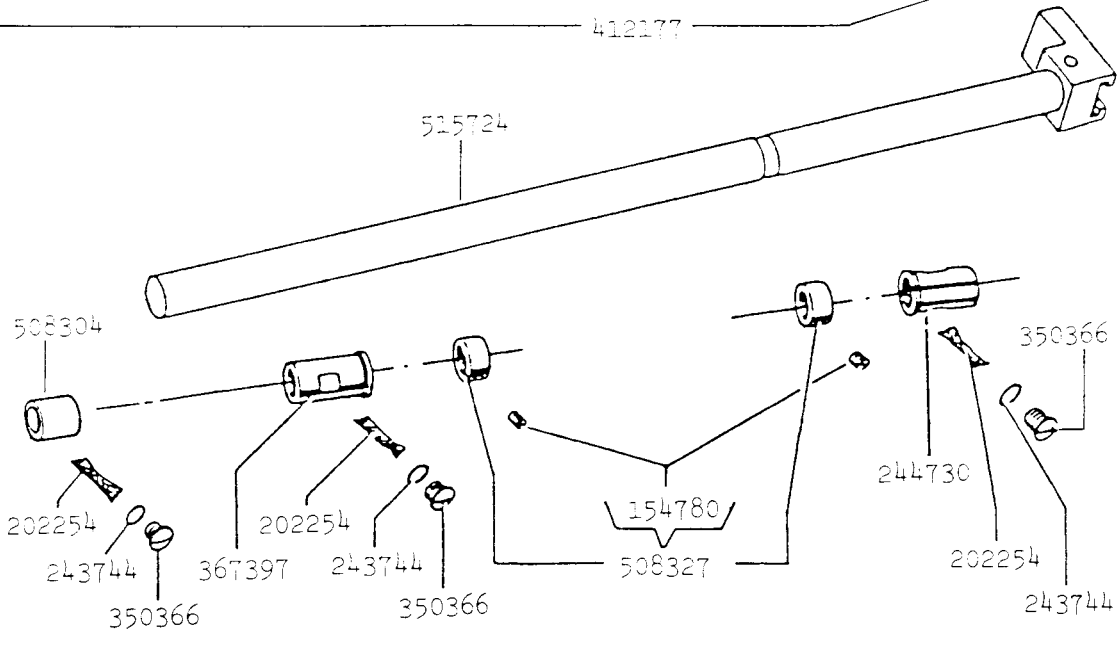
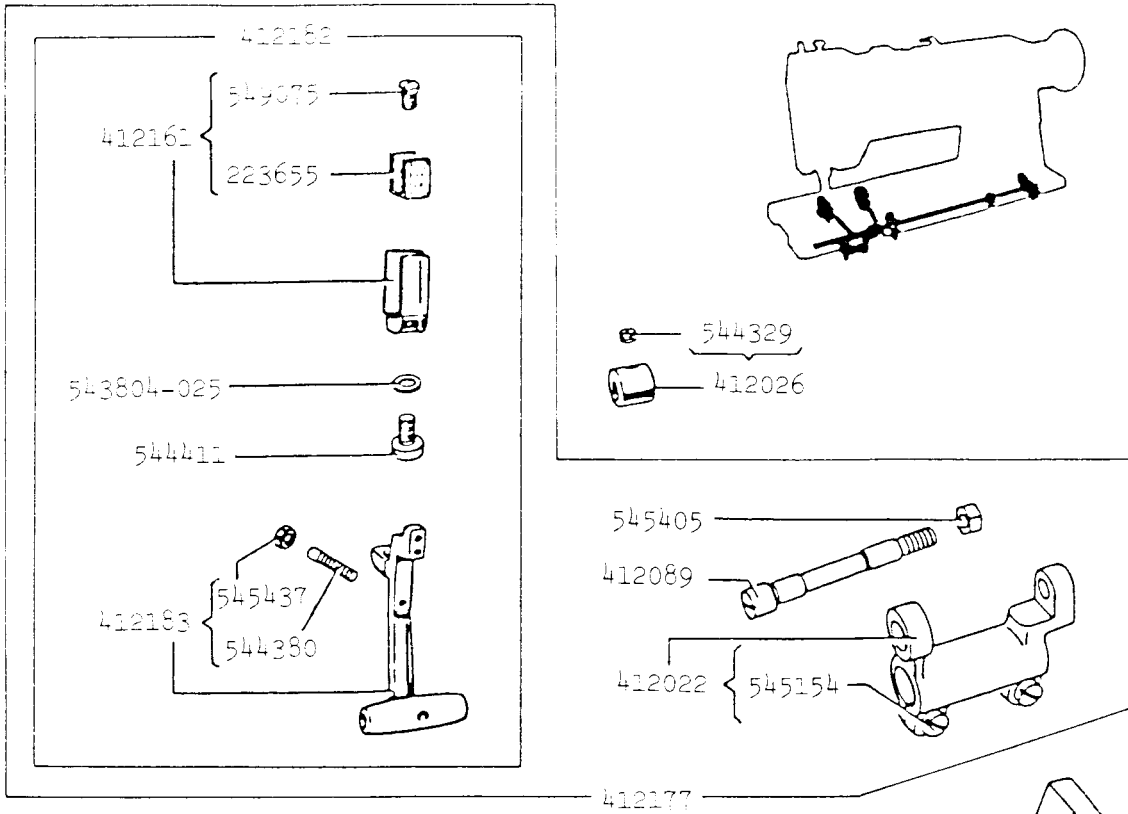
No.	212A141AA 541AA 539AA 211A166AA 566AA 567AB	Description
141566	* * * * *	Machine Pulley Position Screw
141567	* * * * *	Machine Pulley Set Screw
202253	* * * * *	Arm Shaft Connecting Belt Pulley Spring Flange (2)
202330	* * * * *	Needle Bar Connecting Stud Wick
202399	* * * * *	Take-up Lever Driving Stud with 244071
202552	* * * * *	Needle Bar Connecting Link
204329	* * * * *	Arm Shaft Bushing (front) Oil Pad (felt) (lower)
235706	* * * * *	Take-up Lever Hinge Stud Oil Wick
244071	* * * * *	Take-up Lever Driving Stud Oil Wick
244747	* * * * *	Arm Shaft Bushing (front) with 412234
267158	* * * * *	Arm Shaft
267160	* * * * *	Arm Shaft Bushing (front) Oil Pad (felt) (upper)
267161	* * * * *	Arm Shaft Connecting Belt
267221	* * * * *	Needle Bar Connecting Link Stud with 267466
267224	* * * * *	Needle Bar Crank Friction Washer
267466	* * * * *	Needle Bar Connecting Link Stud Wick
272142	* * * * *	Machine Pulley Ball Bearing (back)
412002	- - * * *	Needle Bar Connecting Stud with 202330, 549380
412005	* * * * *	Arm Shaft Connecting Belt Pulley with 202253 (2), 544322, 544330
412118	- * * - * *	Needle Bar Crank
412129	- * * - * *	Arm Shaft, Needle Bar Crank Complete 267158, 412118, 544323, 544358
412130	- * * - * *	Arm Shaft, Needle Bar Crank, Needle Bar Connecting Link Stud complete 267221, 412129, 544327, 544332
412225	* * * * *	Take-up Lever Hinge Stud with 235706
412226	* * * * *	Take-up Lever Hinge Stud Wearing Washer
412234	* * * * *	Arm Shaft Bushing (front) Oil Wick
412239-001	* * * * *	Take-up Lever Guard
412481	- - * - - -	Arm Shaft, Needle Bar Crank, Take-up Lever Complete 202399, 202552, 412002, 412130, 412225, 412226, 514154
514154	- * * - - -	Take-up Lever
514314-001	- - * * * *	Machine Pulley with 141566, 141567, 272142
544322	* * * * *	Arm Shaft Connecting Belt Pulley Set Screw
544323	* * * * *	Needle Bar Crank Position Screw
544324	* * * * *	Arm Shaft Bushing (front) Set Screw
544327	* * * * *	Needle Bar Connecting Link Stud Set Screw
544330	* * * * *	Arm Shaft Connecting Belt Pulley Position Screw
544332	* * * * *	Needle Bar Connecting Link Stud Set Screw
544358	* * * * *	Needle Bar Crank Check Screw
545284	* * * * *	Hand Wheel Screw
545370	* * * * *	Take-up Lever Hinge Stud Set Screw
549027	* * * * *	Take-up Lever Guard Screw (3)
549380	* * * * *	Needle Bar Connecting Stud Pinch Screw



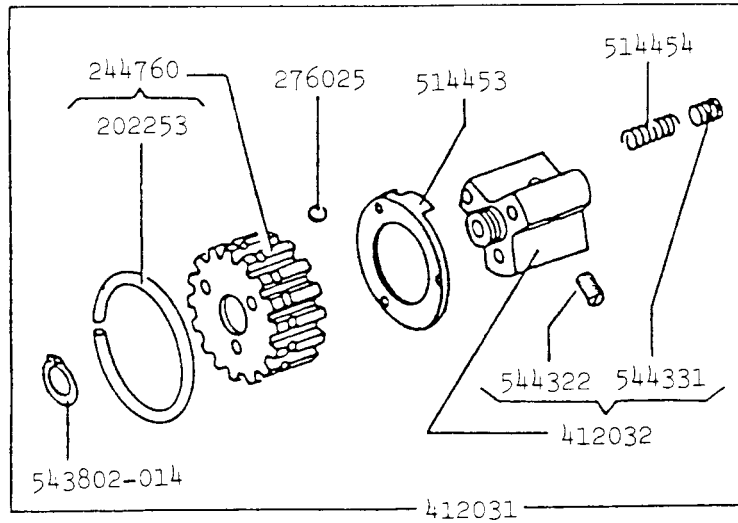
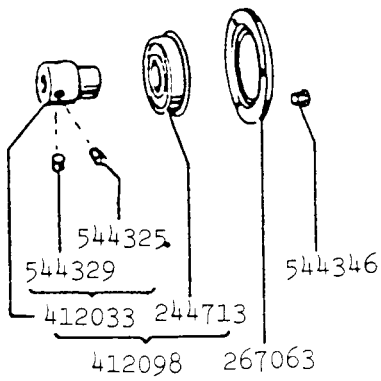
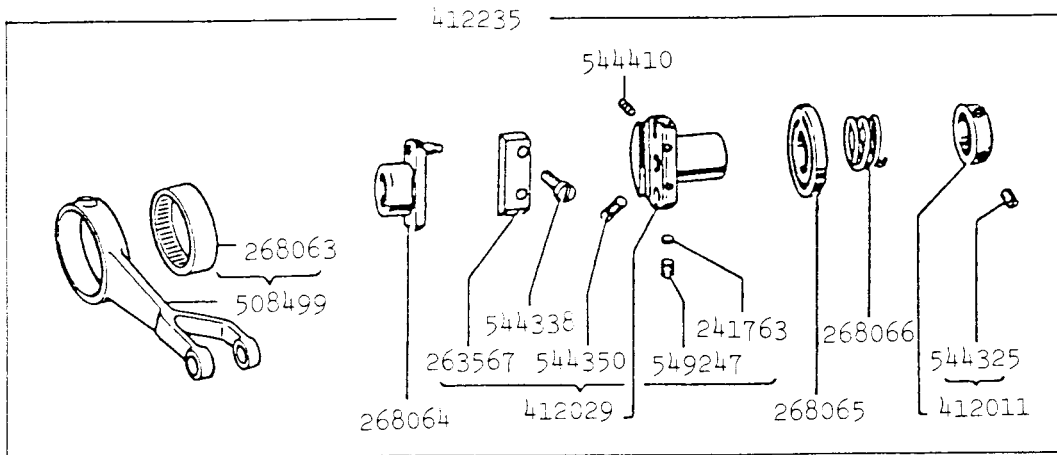
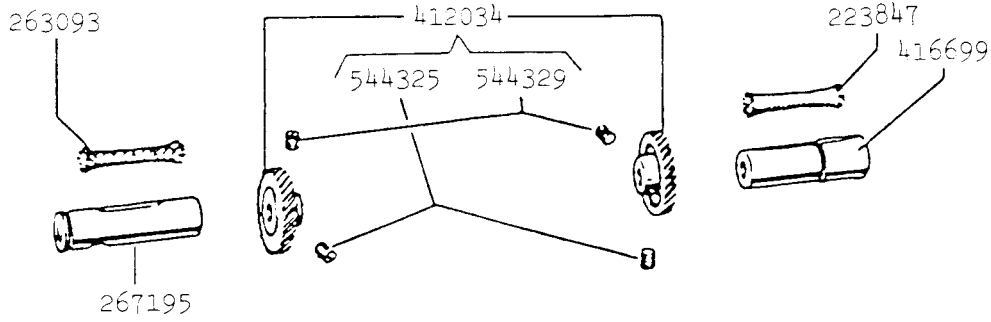
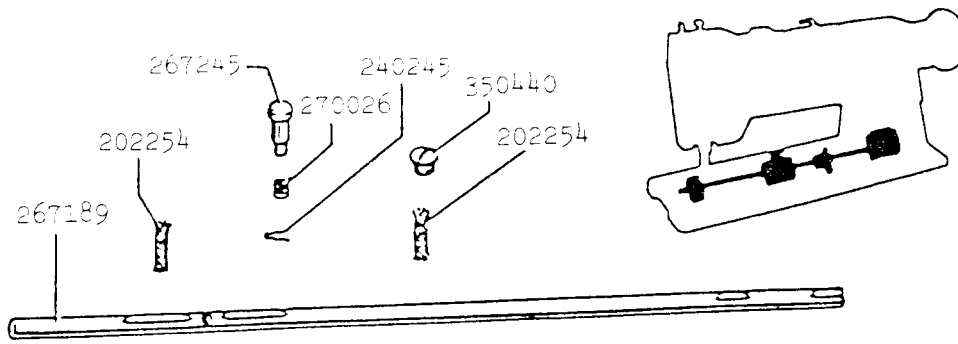
No.	212A141AA 541AA 539AA 211A166AA 566AA 567AB	Description
1664	- - * * * *	Lifting Bell Crank Link Screw Stud Nut
202277	- - * * * *	Vibrating Presser Bar Wick
240174	- - * * * *	Lifting Rock Shaft Bushing (2)
240184	- - * * * *	Vibrating Presser Bar Connecting Link
240188	- - * * * *	Vibrating Presser Bar Extension Spring
240205	- - * * * *	Lifting Bell Crank
241763	- - * * * *	Eccentric Friction Plate Screw Set Screw (2)
244071	- - * * * *	Lifting Eccentric Connection Crank Oil Wick
263567	- - * * * *	Lifting Eccentric Friction Plate
268063	- - * * * *	Lifting Eccentric Connection Bearing
268064	- - * * * *	Lifting Eccentric
268065	- - * * * *	Lifting Eccentric Adjusting Disc
268066	- - * * * *	Lifting Eccentric Adjusting Disc Spring
367313	- - * * * *	Lifting Eccentric Washer
412006	- - * * * *	Lifting Rock Shaft Complete 1664, 508298, 544344
412007	- - * * * *	Lifting Eccentric Connection Crank with 244071, 545139
412008	- - * * * *	Lifting Eccentric with 268064, 268065, 268066, 412009, 412011, 419662
412009	- - * * * *	Lifting Eccentric Flange Complete 241763 (2), 263567, 412010, 544338 (2), 544350 (4), 549247 (2)
412010	- - * * * *	Lifting Eccentric Flange
412011	- - * * * *	Lifting Eccentric Adjusting Disc Spring Collar with 544325 (2)
412012	- - * * * *	Presser Bar Lifting Bracket Complete 412013, 504019
412013	- - * * * *	Presser Bar Lifting Bracket
414686	- - * * * *	Lifting Bell Crank Cap Screw
419657	- - * * * *	Vibrating Presser Bar Slide Block
419659	- - * * * *	Vibrating Presser Bar
419661	- - * * * *	Lifting Eccentric Connection
419662	- - * * * *	Lifting Eccentric Connection Complete 268063, 419661
504019	- - * * * *	Presser Bar Lifting Bracket Pinch Screw
508260	- - * * * *	Lifting Bell Crank Link
508281	- - * * * *	Vibrating Presser Bar with Bell Crank and Lifting Bell Crank Complete 202277, 240184, 240205, 419657, 419659, 508260
508298	- - * * * *	Lifting Rock Shaft
514111	- - * * * *	Vibrating Presser Bar Extension
541186	- - * * * *	Vibrating Presser Bar Thumb Screw Lock Nut
544325	- - * * * *	Lifting Eccentric Adjusting Disc Spring Collar Set Screw (2)
544336	- - * * * *	Lifting Eccentric Friction Plate Screw (2)
544344	- - * * * *	Lifting Bell Crank Link Screw Stud
544350	- - * * * *	Lifting Eccentric Flange Set Screw (4)
544359	- - * * * *	Vibrating Presser Bar Thumb Screw (pressure regulating)
545139	- - * * * *	Lifting Eccentric Connection Crank Pinch Screw
549247	- - * * * *	Lifting Eccentric Friction Plate Screw Set Screw (2)



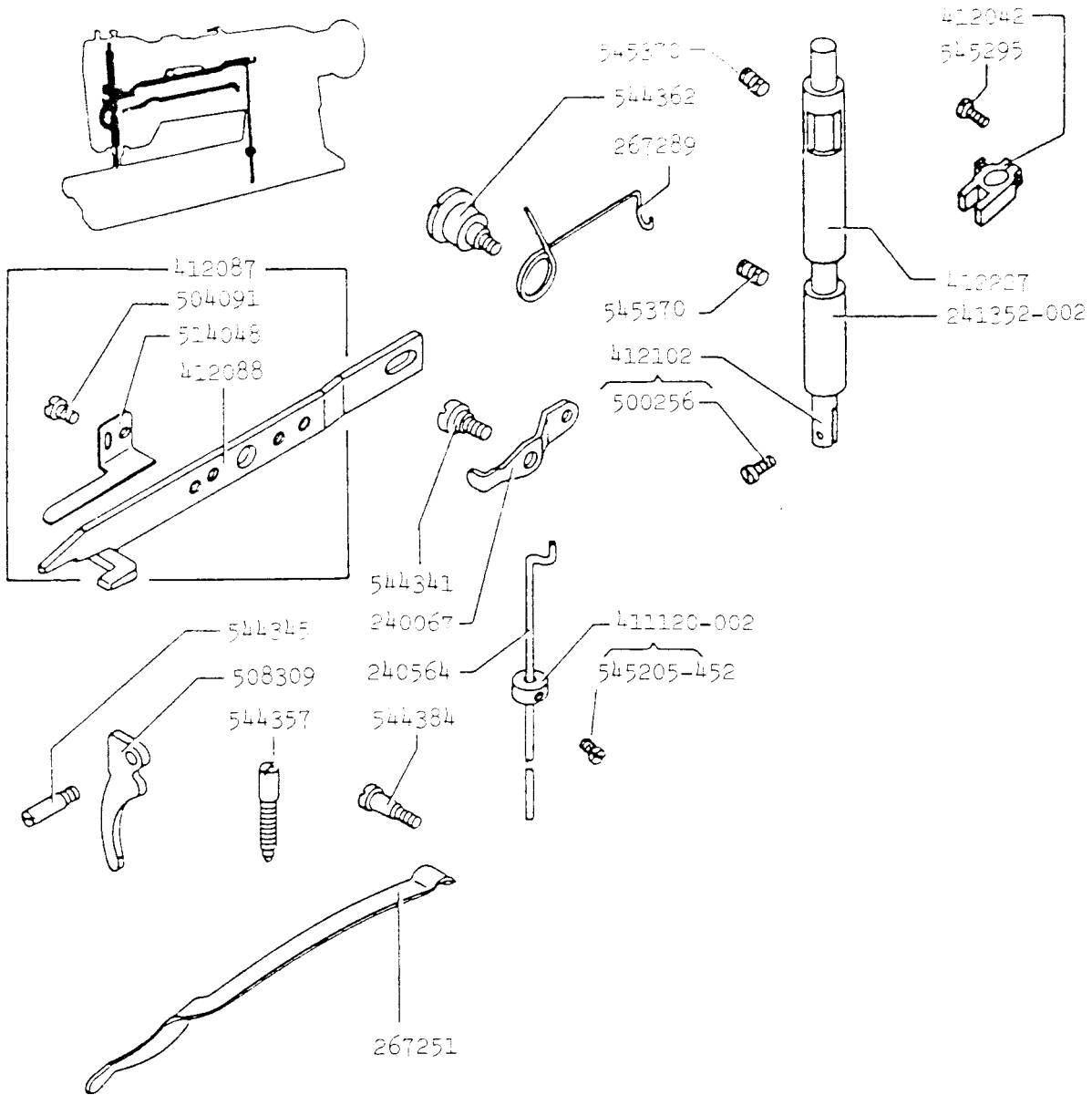
No.	212A141AA 541AA 539AA 211A166AA 566AA 567AB	Description
202277	- - * * * *	Needle Bar Rock Frame Hinge Stud Oil Wick
202277	- - * * * *	Needle Bar Rock Frame Rock Shaft Crank Connection Oil Wick
202668	- - * * * *	Needle Bar Rock Frame Rock Shaft Slide Block
210910	- - * * * *	Needle Bar Rock Frame Hinge Stud with 202277
223693	- - * * * *	Needle Bar Rock Frame Rock Shaft Crank Connection with 202277
267220	* * * * * *	Oil Guard
412016	- - * * * *	Needle Bar Rock Frame Rock Shaft Complete 412017, 412018, 544326
412017	- - * * * *	Needle Bar Rock Frame Rock Shaft
412018	- - * * * *	Needle Bar Rock Frame Rock Shaft Slide Block Complete 202668, 412085
412019	- - * * * *	Needle Bar Rock Shaft Connection Link Crank Complete 223693, 412020, 500243, 500273, 500787, 508286, 545443 (2)
412020	- - * * * *	Needle Bar Rock Shaft Connection Link Crank with 544351
412085	- - * * * *	Needle Bar Rock Frame Rock Shaft Slide Block Stud
419658	- - * * * *	Vibrating Presser Bar Slide Guide Plate
419681	- - * - - -	Needle Bar Rock Frame
500243	- - * * * *	Needle Bar Rock Shaft Crank Hinge Screw
500278	- - * * * *	Needle Bar Rock Shaft Crank Link Slide Screw
500787	- - * * * *	Needle Bar Rock Shaft Crank Link Slide Screw Nut
508286	- - * * * *	Needle Bar Rock Shaft Crank Link Slide Screw Spacer
508488	- - * * * *	Presser Bar Guide
514043	- - * * * *	Needle Bar Rock Shaft Bushing (2)
514044	- - * * * *	Needle Bar Rock Frame Position Bracket
544324	- - * * * *	Needle Bar Rock Frame Hinge Stud Set Screw
544326	- - * * * *	Needle Bar Rock Frame Rock Shaft Slide Block Stud Set Screw
544351	- - * * * *	Needle Bar Rock Shaft Connection Link Crank Pinch Screw
545114	* * * * * *	Oil Guard Screw
545340	- - * * * *	Vibrating Presser Bar Slide Guide Plate Set Screw
545361-452	- - * * * *	Presser Bar Guide Screw (2)
545443	- - * * * *	Needle Bar Rock Shaft Crank Hinge Screw Lock Nut
545443	- - * * * *	Needle Bar Rock Shaft Crank Link Slide Screw Lock Nut



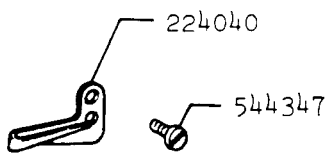
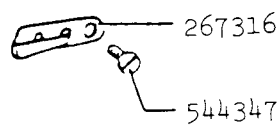
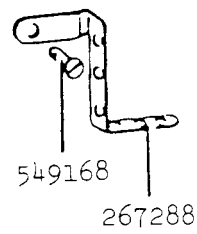
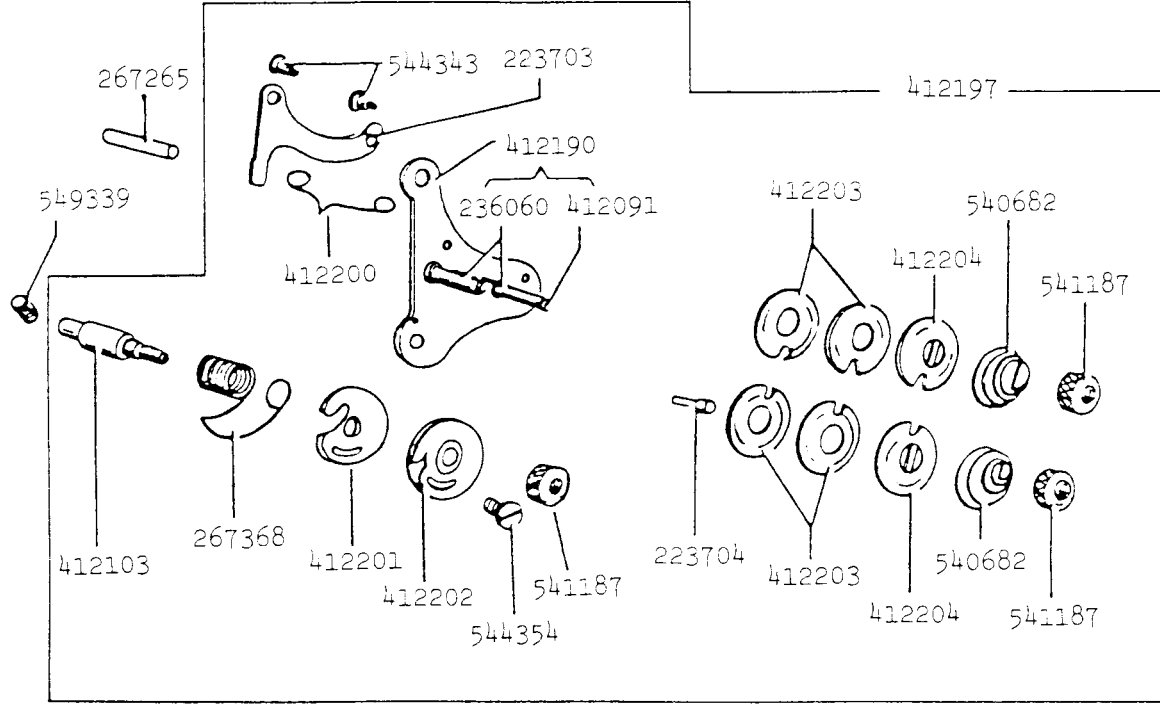
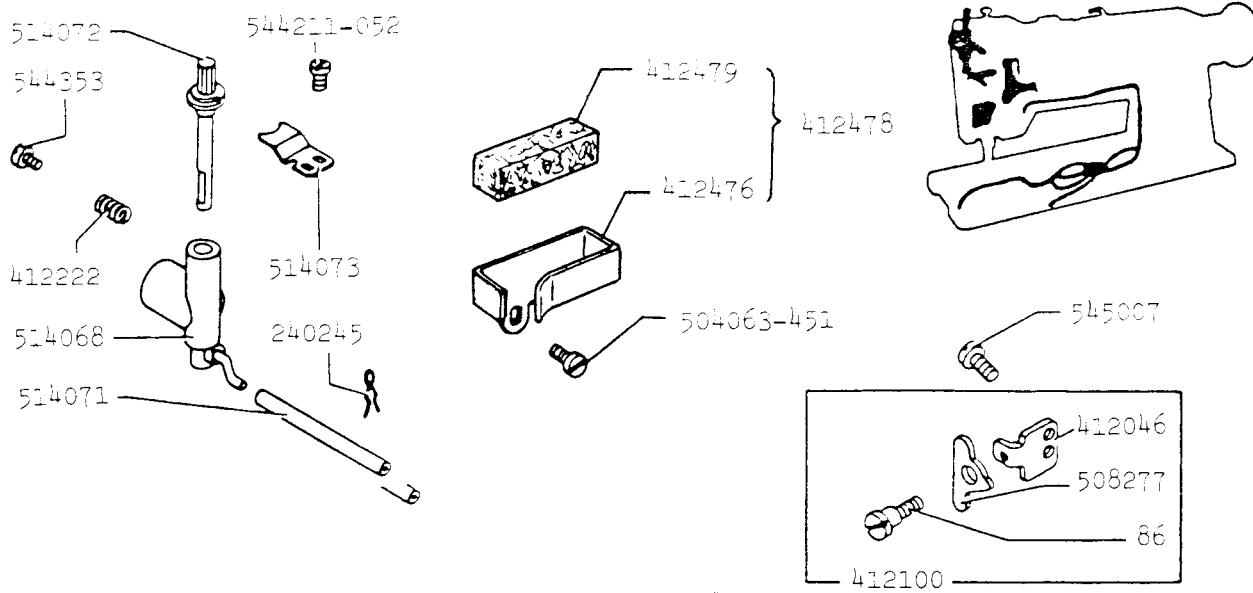
No.	212A141AA 541AA 539AA 211A166AA 566AA 567AB	Description
154780	*****	Feed Driving Rock Shaft Stop Collar Set Screw (4)
202254	*****	Bed Oil Wick (front)
202254	*****	Bed Oil Wick (center)
202254	*****	Bed Oil Wick (back)
223655	*****	Feed Lifting Eccentric Fork Oiling Felt
243744	*****	Bed Oil Stop Screw Gasket (front)
243744	*****	Bed Oil Stop Screw Gasket (center)
243744	*****	Bed Oil Stop Screw Gasket (back)
244730	*****	Feed Driving Rock Shaft Bushing (back)
350366	*****	Bed Oil Stop Screw (front)
350366	*****	Bed Oil Stop Screw (center)
350366	*****	Bed Oil Stop Screw (back)
367397	*****	Feed Driving Rock Shaft Bushing (center)
412022	*****	Feed Driving Rock Frame with 545154 (2)
412026	*****	Feed Lifting Eccentric with 544329
412089	*****	Feed Bar Hinge Screw (driving)
412161	*** - - -	Feed Lifting Eccentric Fork with 223655, 549075
412177	*** - - -	Feed Driving Rock Frame Complete 412022, 412089, 412182, 545405
412182	** * - - -	Feed Bar Complete 412161, 412183, 543804-005, 544411
412183	** * - - -	Feed Bar with 544380, 545437
508304	*****	Feed Driving Rock Shaft Bushing (front)
508327	*****	Feed Driving Rock Shaft Stop Collar (2) with 154780 (2)
515724	** * - - -	Feed Driving Rock Shaft
543804-025	*****	Feed Lifting Eccentric Fork Screw Washer
544329	*****	Feed Lifting Eccentric Set Screw
544380	** * - - -	Feed Dog Support Screw
544411	*****	Feed Lifting Fork Screw
545154	*****	Feed Driving Rock Frame Pinch Screw (2)
545405	*****	Feed Bar Hinge Screw Nut
545437	** * - - -	Feed Dog Support Screw Nut
549075	*****	Feed Lifting Eccentric Fork Oiling Felt Screw



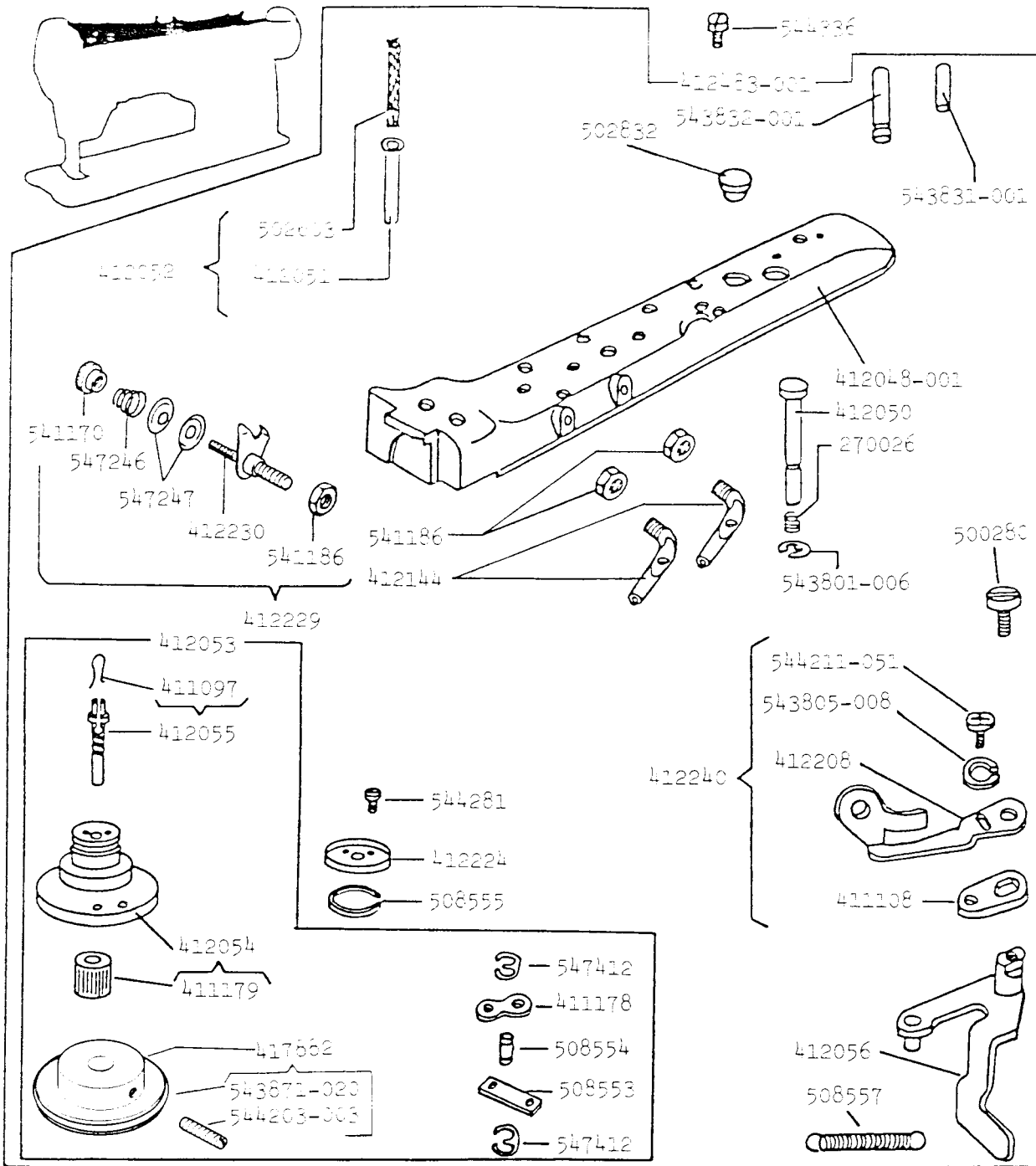
No.	212A141AA 541AA 539AA 211A166AA 566AA 567AB	Description
202253	* * * * *	Safety Clutch Belt Pulley Spring
202254	* * * * *	Bed Oil Wick (front)
202254	* * * * *	Bed Oil Wick (back)
223847	* * * - -	Hook Saddle Bearing (right) Oil Packing (wick)
240245	* * * * *	Feed Regulating Stud Retaining Spring
241763	* * * * *	Feed Driving Eccentric Plate Screw Set Screw Packing (brass) (2)
244713	* * * * *	Hook Driving Shaft Ball Bearing
244760	- - * * *	Safety Clutch Belt Pulley with 202253
263093	* * * * *	Hook Saddle Bearing (left) Oil Packing (wick)
263567	* * * * *	Feed Driving Flange Friction Plate
267063	* * * * *	Hook Driving Shaft Ball Bearing Retaining Washer
267189	* * * - -	Hook Driving Shaft
267195	* * * - -	Hook Saddle Bearing (left)
267245	* * * * *	Feed Regulating Stud
268063	* * * * *	Feed Driving Eccentric Connection Needle Bearing
268064	* * * * *	Feed Driving Eccentric
268065	* * * * -	Feed Driving Eccentric Adjusting Disc
268066	* * * * *	Feed Driving Eccentric Adjusting Disc Spring
270026	* * * * *	Feed Regulating Stud Spring
276025	- - * * *	Safety Clutch Driving Ball (7/32 in. diameter) (3)
350440	* * * * *	Bed Oil Screw
412011	* * * * -	Feed Driving Eccentric Adjusting Disc Spring Collar with 544325 (2)
412029	* * * * -	Feed Driving Flange with 241763 (2), 263567, 544350, 544338 (2), 544410, 549247 (2)
412031	- - * * *	Safety Clutch Complete 244760, 276025 (3), 412032, 514453, 514454 (3), 543802-014
412032	- - * * *	Safety Clutch Overload Pulley with 544322 (2), 544331 (3)
412033	* * * * *	Hook Driving Shaft Ball Bearing Collar with 544325, 544329
412034	* * * * *	Hook Driving Gear (spiral) (2) with 544325, 544329
412098	* * * * *	Hook Driving Shaft Ball Bearing Complete 244713, 412033
412235	* * * - -	Feed Driving Eccentric Complete 268064, 268065, 268066, 412011, 412029, 508499
416699	* * * - -	Hook Saddle Bearing (right)
508499	* * * * *	Feed Driving Eccentric Connection with 268063
514453	- - * * *	Safety Clutch Disc
514454	- - * * *	Safety Clutch Driving Ball Spring (3)
543802-014	- - * * *	Safety Clutch Overload Pulley Retaining Ring
544322	- - * * *	Safety Clutch Overload Pulley Set Screw (2)
544325	* * * * *	Hook Driving Gear Set Screw (2)
544325	* * * * *	Feed Driving Eccentric Adjusting Disc Spring Collar Set Screw (2)
544325	* * * * *	Hook Driving Shaft Ball Bearing Collar Set Screw
544329	* * * * *	Hook Driving Gear Position Screw (2)
544329	* * * * *	Hook Driving Shaft Ball Bearing Collar Position Screw
544331	- - * * *	Safety Clutch Overload Pulley Adjusting Screw (3)
544338	* * * * *	Feed Driving Flange Friction Plate Screw (2)
544346	* * * * *	Hook Driving Shaft Ball Bearing Retaining Washer Screw (3)
544350	* * * * *	Feed Driving Flange Set Screw
544410	* * * * *	Feed Driving Flange Position Screw
549247	* * * * *	Feed Driving Eccentric Friction Plate Screw Set Screw (2)



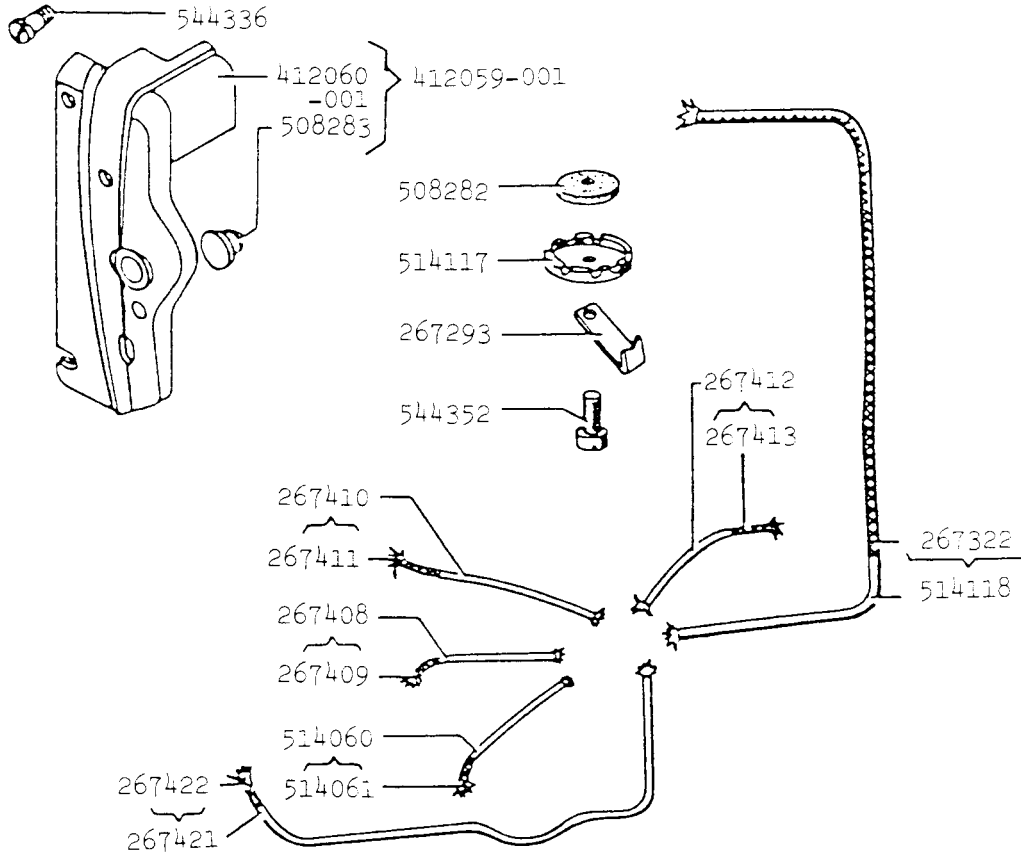
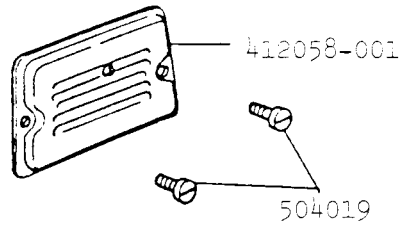
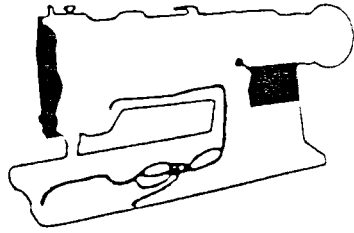
No.	212A141AA 541AA 539AA 211A166AA 566AA 567AB	Description
240067	*****	Knee Lifter Connection Lever
240564	*****	Knee Lifter Connection Lever Lifting Rod
241352-002	- - *****	Presser Bar Bushing (lower)
267251	*****	Presser Bar Spring (flat)
267289	*****	Knee Lifter Lifting Lever Return Spring
411120-002	*****	Knee Lifter Connection Lever Lifting Rod Stop Collar with 545205-452
412042	- - *****	Presser Bar Spring Bracket with 545295
412087	- - *****	Knee Lifter Lifting Lever Complete 412088, 504091, 514048
412088	- - *****	Knee Lifter Lifting Lever
412102	*****	Presser Bar with 500256
412227	- - *****	Presser Bar Bushing (upper)
500256	*****	Lifting Presser Foot Screw
504091	- - *****	Tension Release Actuating Spring Screw
508309	- - *****	Presser Bar Lifter
514048	- - *****	Tension Release Actuating Spring
544341	*****	Knee Lifter Connection Lever Hinge Screw
544345	*****	Presser Bar Lifter Hinge Screw
544357	*****	Presser Bar Spring Regulating Screw
544362	*****	Knee Lifter Lifting Lever Pinch Screw
544384	*****	Presser Bar Spring Support Screw
545205-452	*****	Knee Lifter Connection Lever Lifting Rod Stop Collar Set Screw
545295	*****	Presser Bar Spring Bracket Pinch Screw
545370	*****	Presser Bar Bushing (lower) Set Screw
545370	*****	Presser Bar Bushing (upper) Set Screw



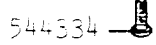
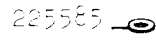
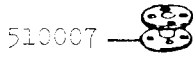
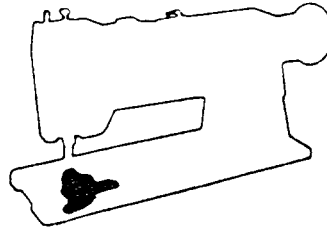
No.	212A141AA 541AA 539AA 211A166AA 566AA 567AB	Description
86	- - * * * *	Tension Release Bell Crank Hinge Screw
223703	* * * * * *	Tension Release Lever
223704	* * * * * *	Tension Release Plunger (2)
224040	* * * * * -	Thread Guide (lower)
236060	* * * * * *	Tension Disc Position Pin (2)
240245	- - * * * *	Thread Lubricating Reservoir Oil Tube Clamp
267265	* * * * * *	Tension Release Lever Rod
267288	* * * - - -	Thread Retainer
267316	* * * * * *	Thread Guide
267368	* * * * * *	Thread Controller Spring
412046	- - * * * *	Tension Release Bracket
412091	* * * * * *	Tension Stud (2)
412100	- - * * * *	Tension Release Bracket Complete 86, 412046, 508277
412103	* * * * * *	Thread Controller Stud
412190	* * * - - -	Tension Bracket with 236060 (2), 412091 (2)
412197	* * * - - -	Tension Bracket Complete 223703, 223704 (2), 267368, 412103, 412190, 412200, 412201, 412202, 412203 (4), 412204 (2), 540682 (2), 541187 (3), 544343 (2), 544354
412200	* * * * * *	Tension Release Lever Spring
412201	* * * * * *	Thread Controller Spring Stop
412202	* * * * * *	Thread Controller Disc
412203	* * * * * *	Tension Disc (4)
412204	* * * * * *	Tension Release Washer (2)
412222	- - * * * *	Thread Lubricating Reservoir Clamping Spring
412476	- - * * * *	Thread Lubricator Oil Pad Holder
412478	- - * * * *	Thread Lubricator Oil Pad Holder Complete 412476, 412479
412479	- - * * * *	Thread Lubricator Oil Pad (felt)
504063-451	- - * * * *	Thread Lubricator Plate Screw
508277	- - * * * *	Tension Release Bell Crank
514068	- - * * * *	Thread Lubricating Reservoir
514071	- - * * * *	Thread Lubricating Reservoir Oil Tube
514072	- - * * * *	Thread Lubricating Reservoir Stud
514073	- - * * * *	Thread Lubricating Regulator Spring
540682	* * * - - -	Tension Spring (2)
541187	* * * * * *	Tension Thumb Nut (3)
544211-052	- - * * * *	Thread Lubricating Regulator Spring Set Screw (2)
544343	* * * * * *	Tension Release Lever Hinge Screw (2)
544347	* * * * * -	Thread Guide (lower) Screw
544347	* * * * * *	Thread Guide Screw
544352	* * * * * *	Bed Oil Tube Clamp Screw
544353	- - * * * *	Thread Lubricating Reservoir Clamping Spring Screw
544354	* * * * * *	Thread Controller Disc Screw
545007	- - * * * *	Tension Release Bracket Screw (2)
549168	* * * * * *	Thread Retainer Screw
549339	* * * * * *	Tension Controller Stud Set Screw



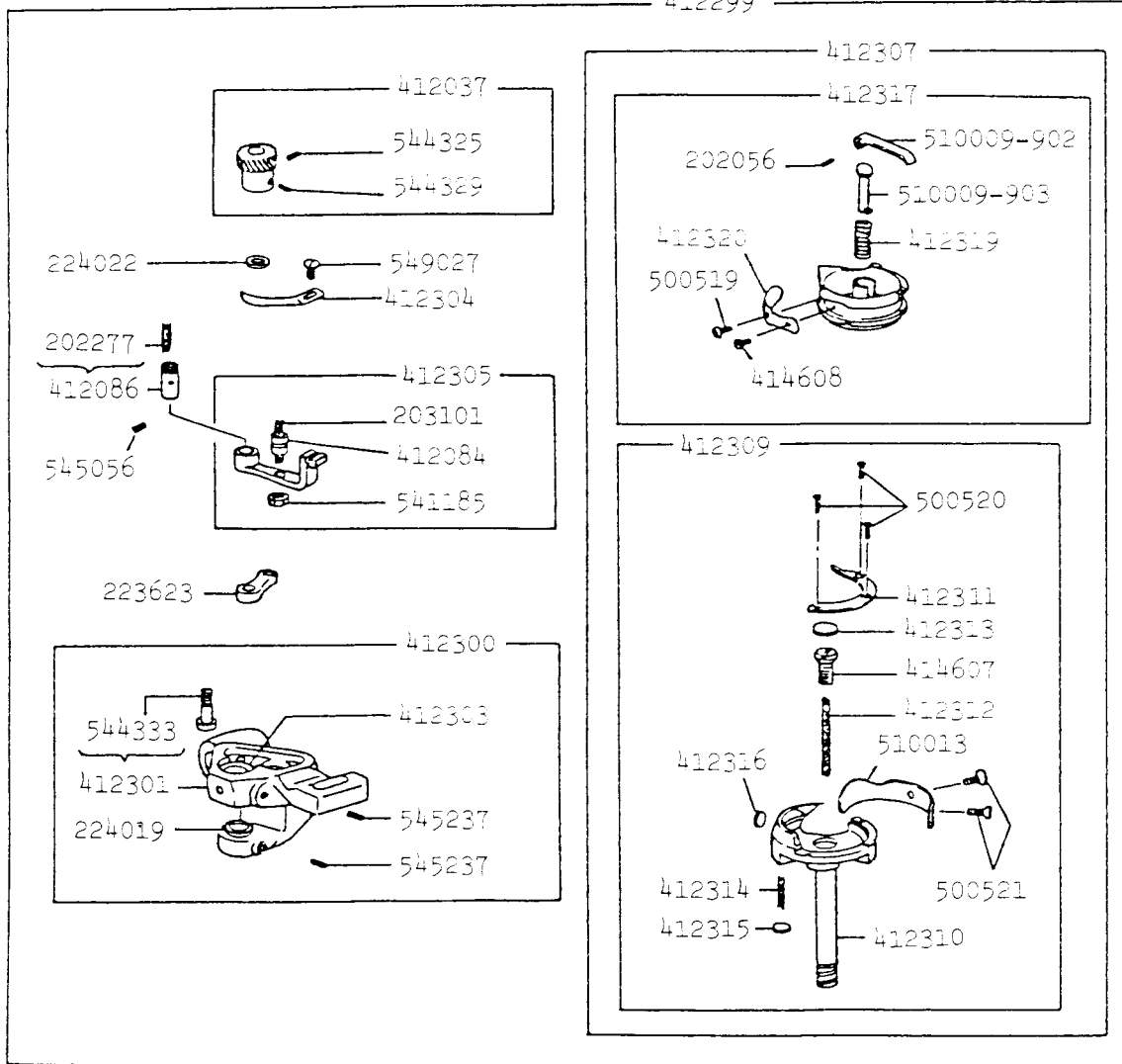
No.	212A141AA 541AA 539AA 211A166AA 506AA 507AB	Description
50429-833	* * * * *	Bobbin Winder Driving Wheel Set Screw (2)
270026	- - * * * *	Presser Bar Lifting Regulating Stud Spring
411083	* * * * *	Bobbin Winder Driving Wheel with 50429-833 (2)
411097	* * * * *	Bobbin Snap Spring
411108	* * * * *	Bobbin Winder Shaft Bushing (Ecc.) Trip Lever (short)
411178	* * * * *	Bobbin Winder Bushing (Ecc.) Connection Lever
411179	* * * * *	Bobbin Winder Shaft Bushing (Ecc.) Bearing
412048-001	- - * * * *	Arm Cover (top)
412050	- - * * * *	Presser Bar Lifting Regulating Stud
412051	- - * * * *	Arm Cover (top) Oil Pipe
412052	- - * * * *	Arm Cover (top) Oil Pipe Complete 412051, 502603,
412053	* * * * *	Bobbin Winder Shaft Bushing (Ecc.) Complete 411178, 412054, 412055, 417882, 508553, 508554, 547412 (2)
412054	* * * * *	Bobbin Winder Shaft Bushing (Ecc.) with 411179
412055	* * * * *	Bobbin Winder Shaft with 411097
412056	* * * * *	Bobbin Winder Bushing (Ecc.) Rocking Lever Complete
412144	* * * * *	Thread Guide (arm top cover) (2)
412208	* * * * *	Bobbin Winder Shaft Bushing (Ecc.) Trip Lever (long)
412224	* * * * *	Bobbin Winder Bushing (Ecc.) Thread Guard
412229	* * * * *	Bobbin Winder Tension Complete 412230, 541170, 541186, 547246, 547247
412230	* * * * *	Bobbin Winder Tension Stud Complete
412240	* * * * *	Bobbin Winder Shaft Bushing (Ecc.) Trip Lever Complete 411108, 412208, 543805-008, 544211-051
412483-001	- - * - - -	Arm Cover (top) Complete 270026, 412048-001, 412050, 412052, 412053, 412056, 412144 (2), 412224, 412229, 412240, 500280, 502832, 508555, 508557, 541186(2), 543801-006, 543831-001, 543832-001, 544281
417882	* * * * *	Bobbin Winder Shaft Friction Wheel Complete 543871-020, 544203-003 (2)
500280	* * * * *	Bobbin Winder Shaft Bushing (Ecc.) Trip Lever Cap Screw
502603	- - * * * *	Arm Cover (top) Oil Pipe Wick
502832	* * * * *	Arm Cover (top) Plug
508553	* * * * *	Bobbin Winder Bushing (Ecc.) Spring Shackle
508554	* * * * *	Bobbin Winder Bushing (Ecc.) Link Stud
508555	* * * * *	Bobbin Winder Bushing (Ecc.) Snap Ring
508557	* * * * *	Bobbin Winder Bushing (Ecc.) Spring
541170	* * * * *	Bobbin Winder Tension Nut
541186	* * * * *	Thread Guide (arm top cover) Lock Nut (2)
541186	* * * * *	Bobbin Winder Tension Lock Nut
543801-006	- - * * * *	Presser Bar Lifting Regulating Stud Retaining Washer
543805-008	* * * * *	Bobbin Winder Shaft Bushing (Ecc.) Trip Lever Screw Washer
543831-001	* * * * *	Bobbin Winder Bushing (Ecc.) Rocking Lever Stop Pin
543832-001	* * * * *	Bobbin Winder Shaft Bushing (Ecc.) Coil Spring Stud
543871-020	* * * * *	Bobbin Winder Shaft Friction Wheel Ring
544203-003	* * * * *	Bobbin Winder Shaft Friction Wheel Set Screw
544211-051	* * * * *	Bobbin Winder Shaft Bushing (Ecc.) Trip Lever Screw
544281	* * * * *	Bobbin Winder Shaft Bushing (Ecc.) Thread Guard Screw (2)
544336	* * * * *	Arm Cover (top) Screw (6)
547246	* * * * *	Bobbin Winder Tension Spring
547247	* * * * *	Bobbin Winder Tension Disc (2)
547412	* * * * *	Bobbin Winder Shaft Bushing (Ecc.) Link Lock Washer (2)



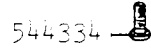
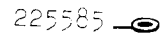
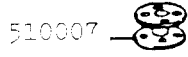
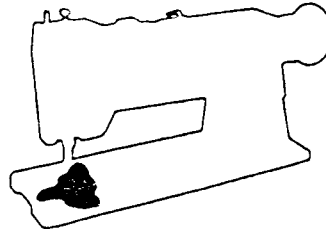
No.	212A141AA 541AA 539AA 211A166AA 566AA 567AB	Description
267293	* * * * *	Feed Driving Eccentric Connection Oil Tube Support
267322	* * * * *	Bed Oil Supply Tube Oil Wick
267408	* * * - - -	Hook Saddle Bearing (right) Oil Tube with 267409
267409	* * * - - -	Hook Saddle Bearing (right) Oil Tube Wick
267410	* * * - - -	Feed Driving Rock Shaft Bushing (left) Oil Tube with 267411
267411	* * * * *	Feed Driving Rock Shaft Bushing (left) Oil Tube Wick
267412	* * * - - -	Feed Driving Rock Shaft Bushing (right) Oil Tube with 267413
267413	* * * - - -	Feed Driving Rock Shaft Bushing (right) Oil Tube Wick
267421	* * * - - -	Hook Saddle Bearing (left) Oil Tube with 267422
267422	* * * - - -	Hook Saddle Bearing (left) Oil Tube Wick
412058-001	* * * * *	Arm Cover (side)
412059-001	- - * * * *	Face Plate Complete 412060-001, 508283
412060-001	- - * * * *	Face Plate Body
504019	* * * * *	Arm Cover (side) Screw (2)
508282	* * * * *	Bed Oil Tube Clamp Oiling Felt
508283	* * * * *	Face Plate Plug
514060	* * * - - -	Feed Driving Eccentric Connection Oil Tube with 514061
514061	* * * - - -	Feed Driving Eccentric Connection Oil Tube Wick
514117	* * * * *	Bed Oil Tube Clamp
514118	* * * - - -	Bed Oil Supply Tube with 267322
544336	* * * * *	Face Plate Screw (2)
544352	* * * * *	Bed Oil Tube Clamp Screw



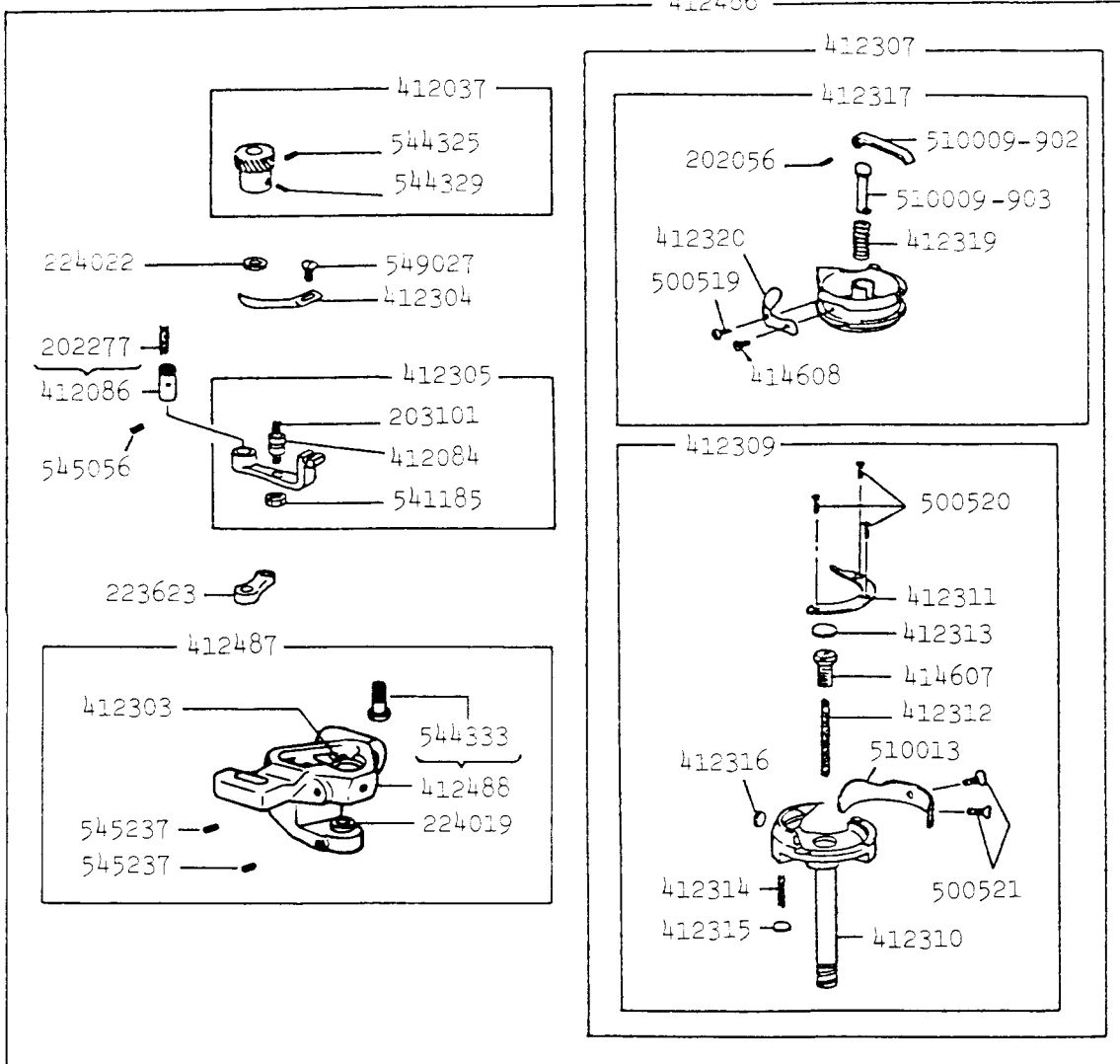
412299



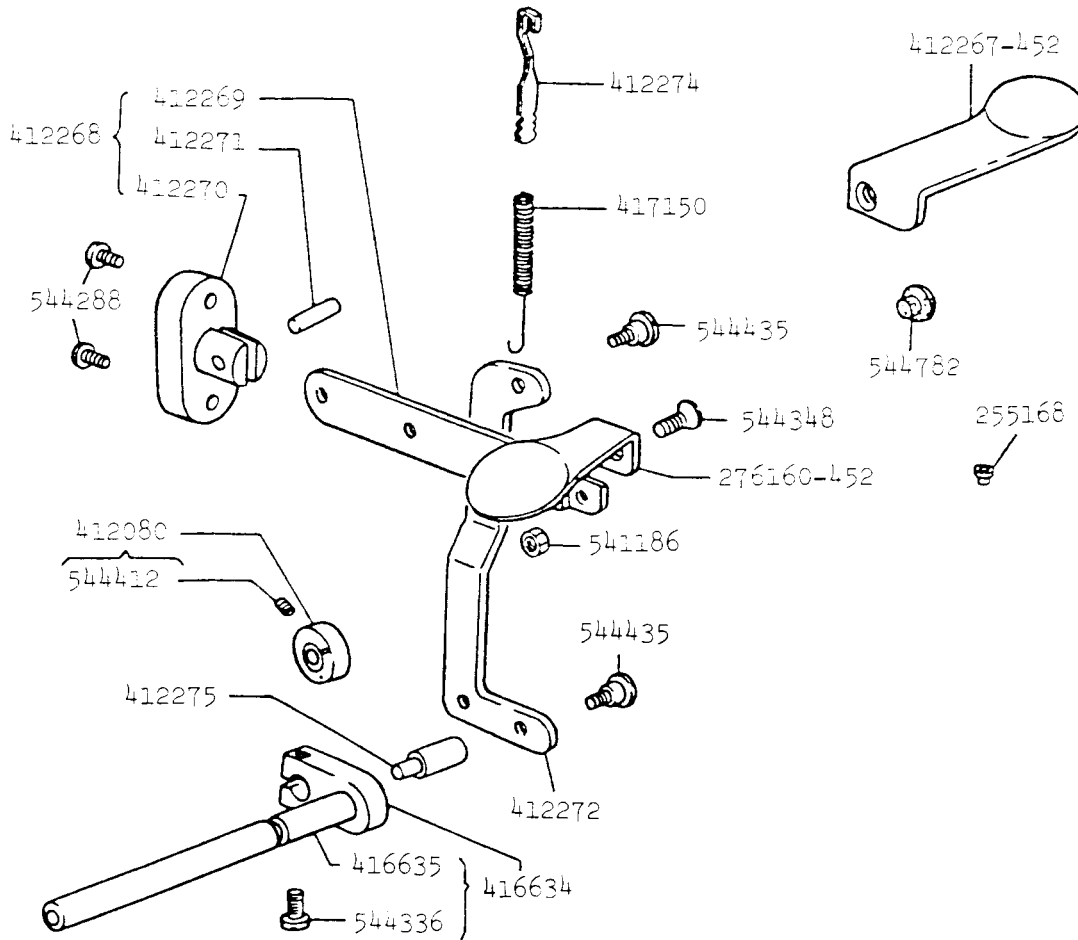
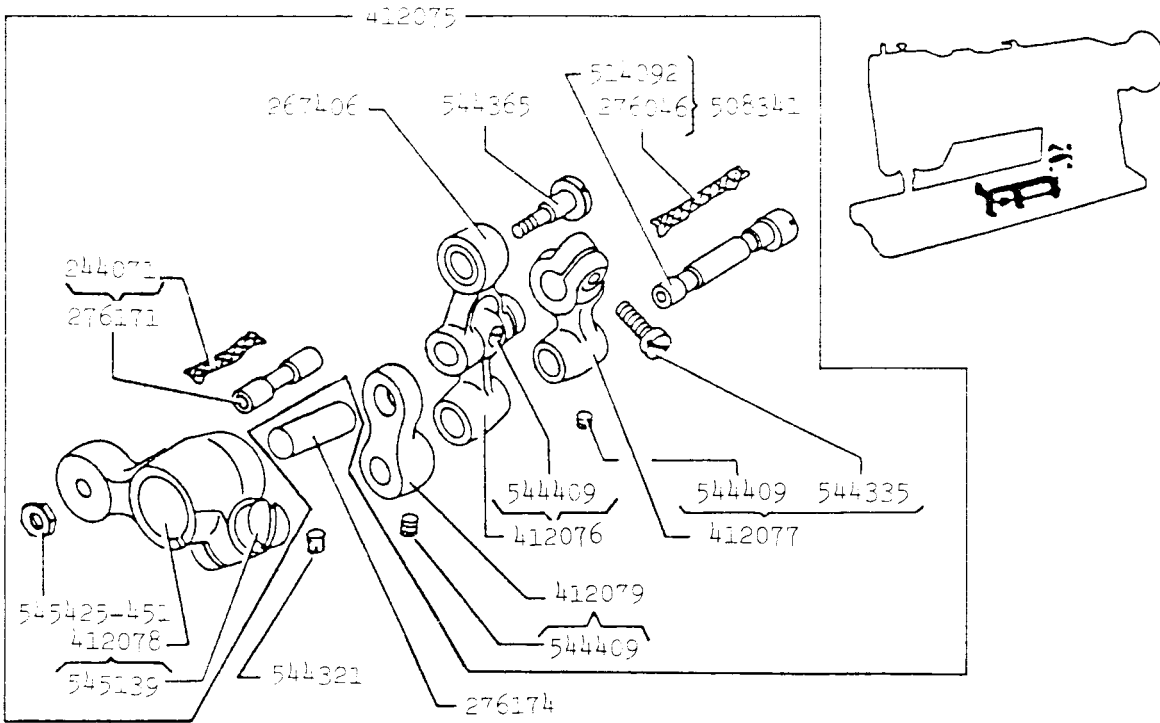
No.	212A141AA 541AA 539AA 211A166AA 566AA 567AB	Description
202056	* * * * *	Bobbin Case Latch Pin
202277	- - * * - *	Bobbin Case Opener Lever Hinge Stud Oil Packing Wick
203101	- - * * - *	Bobbin Case Opener Lever Driving Screw Stud Oil Packing Wick
223623	- - * * - *	Bobbin Case Opener Lever Link
224019	- - * * - *	Hook Bushing (lower)
224022	- - * * - *	Hook Driving Pinion Thrust Washer
225585	* * * * *	Hook Saddle Screw Washer
412037	- - * * - *	Hook Driving Pinion with 544325, 544329
412084	- - * * - *	Bobbin Case Opener Lever Driving Screw Stud
412086	- - * * - *	Bobbin Case Opener Lever Hinge Stud with 202277
412299	- - * - - *	Hook Saddle and Hook Complete 223623, 224022, 412037 412086, 412300, 412304, 412305, 412307, 545056, 549027
412300	- - * - - *	Hook Saddle Complete 224019, 412301, 412303, 545237 (2)
412301	- - * - - *	Hook Saddle with 544333
412303	- - * - - *	Hook Bushing (upper)
412304	- - * - - *	Bobbin Case Opener
412305	- - * - - *	Bobbin Case Opener Lever with 203101, 412084, 541185
412307	- - * - - *	Hook and Bobbin Case Complete 412309, 412317
412309	- - * - - *	Hook Complete 412310, 412311, 412312, 412313, 412314, 412315, 412316, 414607, 500520, 500521, 510013
412310	- - * - - *	Hook Body
412311	- - * - - *	Hook Gib
412312	- - * - - *	Hook Shaft Oil Wick
412313	- - * - - *	Hook Shaft Oil Cap
412314	- - * - - *	Hook Oil Wick
412315	- - * - - *	Hook Oil Wick Cap
412316	- - * - - *	Hook Oil Hole Cap
412317	- - * - - *	Bobbin Case with 202056, 412319, 412320, 414608, 500519, 510009-902, 510009-903
412319	- - * - - *	Bobbin Case Latch Spring
412320	- - * - - *	Bobbin Case Tension Spring
414607	- - * - - *	Hook Shaft Oil Wick Holder
414608	- - * - - *	Bobbin Case Tension Spring Screw
500519	- * * - * *	Bobbin Case Tension Spring Regulating Screw
500520	- * * - * *	Hook Gib Screw (3)
500521	- * * - * *	Hook Needle Guard Screw (2)
510007	- * * - * *	Bobbin
510009-902	- * * - * *	Bobbin Case Latch
510009-903	- * * - * *	Bobbin Case Latch Plunger
510013	- * * - * *	Hook Needle Guard
541185	- - * * - *	Bobbin Case Opener Lever Driving Screw Stud Nut
544325	- - * * - *	Hook Driving Pinion Set Screw
544329	- - * * - *	Hook Driving Pinion Position Screw
544333	- - * * - *	Hook Saddle Pinch Screw
544334	* * * * *	Hook Saddle Screw
545056	- - * * - *	Bobbin Case Opener Lever Hinge Stud Set Screw
545237	- - * * - *	Hook Bushing (lower) Set Screw
545237	- - * * - *	Hook Bushing (upper) Set Screw
549027	* * * * *	Bobbin Case Opener Screw



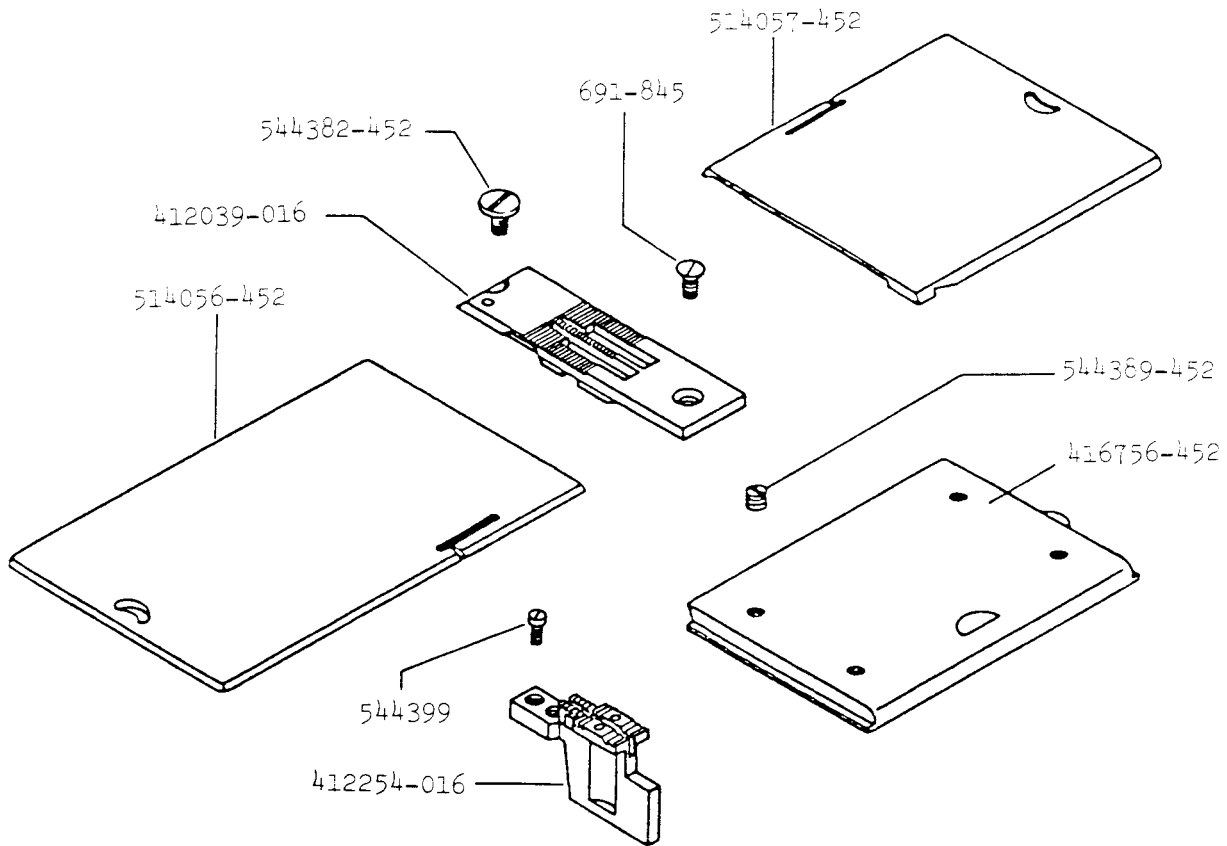
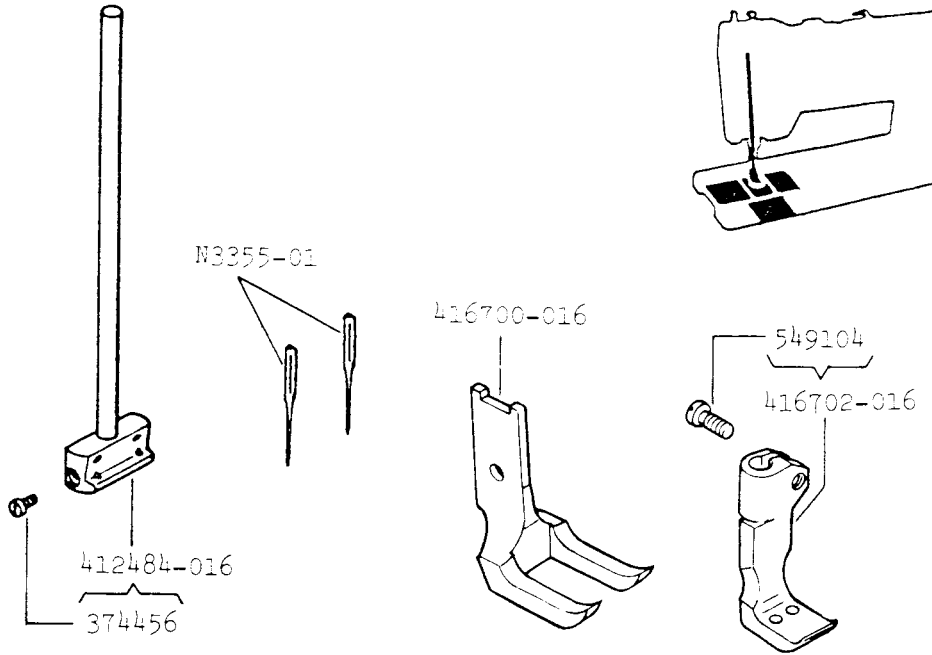
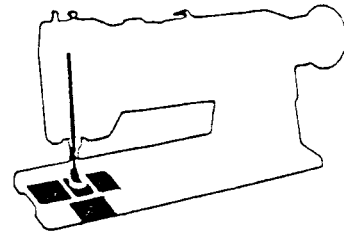
412486



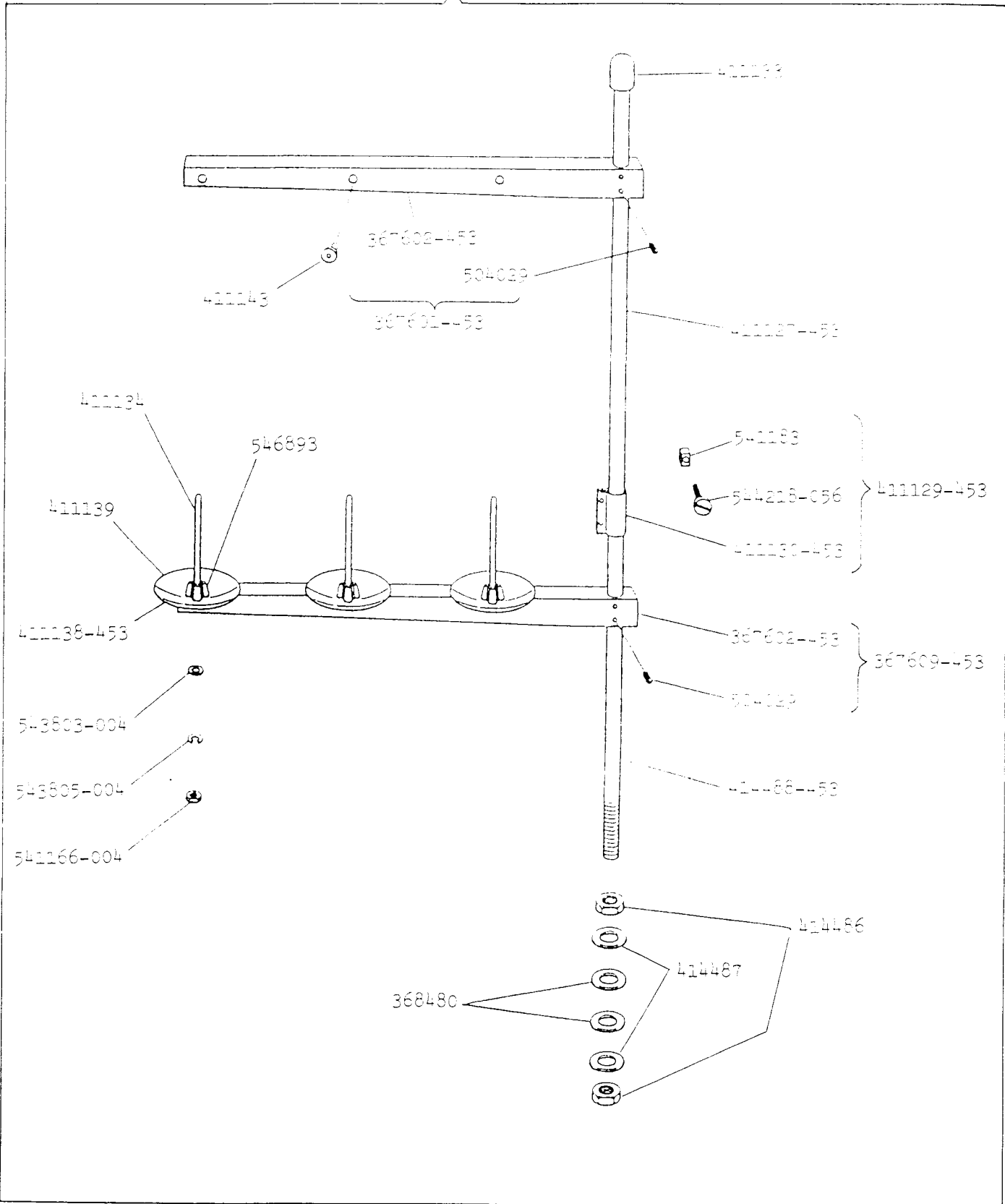
No.	212A141AA 541AA 539AA 211A166AA 566AA 567AB	Description
202056	* * * * *	Bobbin Case Latch Pin
202277	- - * * - *	Bobbin Case Opener Lever Hinge Stud Oil Packing Wick
203101	- - * * - *	Bobbin Case Opener Lever Driving Screw Stud Oil Packing Wick
223623	- - * * - *	Bobbin Case Opener Lever Link
224019	- - * * - *	Hook Bushing (lower)
224022	- - * * - *	Hook Driving Pinion Thrust Washer
225585	* * * * *	Hook Saddle Screw Washer
412037	- - * * - *	Hook Driving Pinion with 544325, 544329
412084	- - * * - *	Bobbin Case Opener Lever Driving Screw Stud
412086	- - * * - *	Bobbin Case Opener Lever Hinge Stud with 202277
412303	- - * * - *	Hook Bushing (upper)
412304	- - * * - *	Bobbin Case Opener
412305	- - * * - *	Bobbin Case Opener Lever with 203101, 412084, 541185
412307	- - * * - *	Hook and Bobbin Case Complete 412309, 412317
412309	- - * * - *	Hook Complete 412310, 412311, 412312, 412313, 412314, 412315, 412316, 414607, 500520, 500521, 510013
412310	- - * * - *	Hook Body
412311	- - * * - *	Hook Gib
412312	- - * * - *	Hook Shaft Oil Wick
412313	- - * * - *	Hook Shaft Oil Cap
412314	- - * * - *	Hook Oil Wick
412315	- - * * - *	Hook Oil Wick Cap
412316	- - * * - *	Hook Oil Hole Cap
412317	- - * * - *	Bobbin Case with 202056, 412319, 412320, 414608, 500519 510009-902, 510009-903
412319	- - * * - *	Bobbin Case Latch Spring
412320	- - * * - *	Bobbin Case Tension Spring
412486	- - * * - *	Hook Saddle and Hook Complete 223623, 224022, 412037 412086, 412304, 412305, 412307, 412487, 545056, 549027
412487	- - * * - *	Hook Saddle Complete 224019, 412303, 412488, 545237 (2)
412488	- - * * - *	Hook Saddle with 544333
414607	- - * * - *	Hook Shaft Oil Wick Holder
414608	- - * * - *	Bobbin Case Tension Spring Screw
500519	- * * * - *	Bobbin Case Tension Spring Regulating Screw
500520	- * * * - *	Hook Gib Screw (3)
500521	- * * * - *	Hook Needle Guard Screw (2)
510007	- * * * - *	Bobbin
510009-902	- * * * - *	Bobbin Case Latch
510009-903	- * * * - *	Bobbin Case Latch Plunger
510013	- * * * - *	Hook Needle Guard
541185	- - * * - *	Bobbin Case Opener Lever Driving Screw Stud Nut
544325	- - * * - *	Hook Driving Pinion Set Screw
544329	- - * * - *	Hook Driving Pinion Position Screw
544333	- - * * - *	Hook Saddle Pinch Screw
544334	* * * * *	Hook Saddle Screw
545056	- - * * - *	Bobbin Case Opener Lever Hinge Stud Set Screw
545237	- - * * - *	Hook Bushing (lower) Set Screw
545237	- - * * - *	Hook Bushing (upper) Set Screw
549027	* * * * *	Bobbin Case Opener Screw



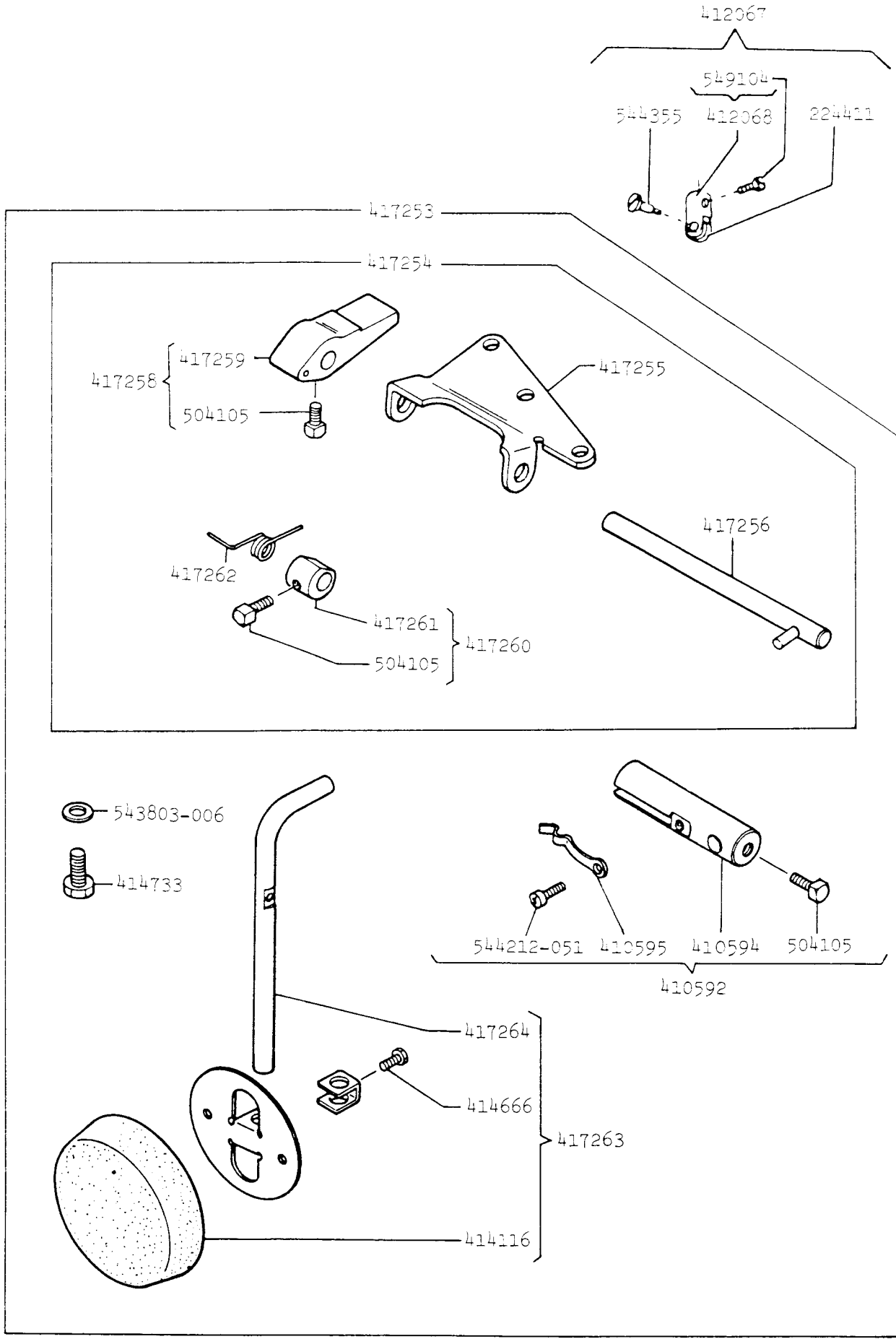
No.	212A141AA 541AA 539AA 211A166AA 566AA 567AB	Description
244071	* * * * *	Feed Driving Eccentric Connection Link Hinge Pin Oil Packing (wick)
255168	* * * * *	Bed Oil Cup (2)
267406	* * * * *	Feed Driving Eccentric Connection Link
276046	* * * * *	Feed Reversing Shaft Crank Hinge Stud Oil Packing (wick)
276160-452	* * * * *	Feed Reversing Lever Handle
276171	* * * * *	Feed Driving Eccentric Connection Link Hinge Pin with 244071
276174	* * * * *	Feed Reversing Mechanism Support Link Stud
412075	* * * * - -	Reverse Feed Complete 267406, 276171, 412076, 412077, 412078, 412079, 508341, 544365, 545425-451
412076	* * * * - -	Feed Reversing Shaft Crank Link with 544409
412077	* * * * - -	Feed Reversing Shaft Crank with 544335, 544409
412078	* * * * * *	Feed Driving Rock Shaft Crank with 545139
412079	* * * * - -	Feed Reversing Mechanism Support Link with 544409
412080	* * * * * *	Feed Reversing Lever Spring Collar with 544412 (2)
412267-452	* * * * * *	Feed Reversing Lever Handle (optional)
412268	* * * * * -	Feed Reversing Lever Complete 412269, 412270, 412271
412269	* * * * * -	Feed Reversing Lever
412270	* * * * * *	Feed Reversing Lever Bracket
412271	* * * * * *	Feed Reversing Lever Hinge Pin
412272	* * * * * *	Feed Reversing Lever Link
412274	* * * * * *	Feed Reversing Lever Spring Hook
412275	* * * * - -	Feed Reversing Shaft Driving Stud
416634	* * * * * *	Feed Reversing Shaft Complete 416635, 544336
416635	* * * * * *	Feed Reversing Shaft
417150	- - * * * *	Feed Reversing Lever Spring
508341	* * * * * *	Feed Reversing Shaft Crank Hinge Stud Complete 276046, 514092
514092	* * * * * *	Feed Reversing Shaft Crank Hinge Stud
541186	* * * * * *	Feed Reversing Lever Handle Screw Nut
544288	* * * * * *	Feed Reversing Lever Bracket Screw (2)
544321	* * * * * *	Feed Reversing Mechanism Support Link Stud Set Screw
544335	* * * * * *	Feed Reversing Shaft Crank Pinch Screw
544336	* * * * * *	Feed Reversing Shaft Driving Stud Pinch Screw
544348	* * * * * *	Feed Reversing Lever Handle Screw
544365	* * * * * *	Feed Driving Rock Shaft Crank Hinge Screw
544409	* * * * * *	Feed Reversing Shaft Crank Hinge Stud Set Screw
544409	* * * * * *	Feed Driving Eccentric Connection Link Hinge Pin Set Screw
544409	* * * * * *	Feed Reversing Shaft Crank Hinge Stud Set Screw
544412	* * * * * *	Feed Reversing Lever Spring Collar Set Screw (2)
544435	* * * * * *	Feed Reversing Lever Hinge Screw (2)
544782	* * * * * *	Arm Cap (rear)
545139	* * * * * *	Feed Driving Rock Shaft Crank Pinch Screw
545425-451	* * * * * *	Feed Driving Rock Shaft Crank Hinge Screw Nut



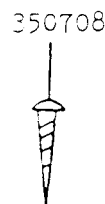
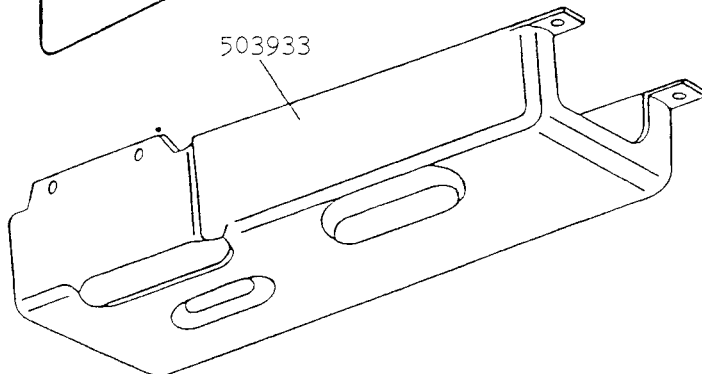
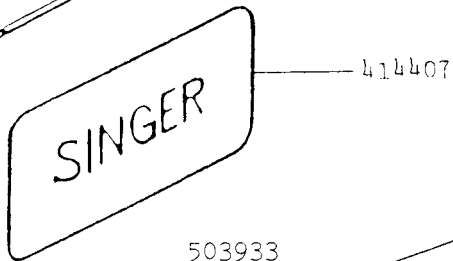
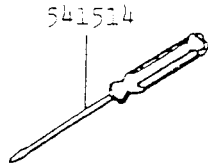
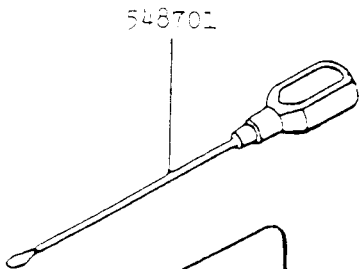
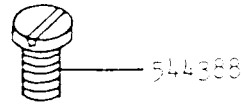
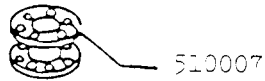
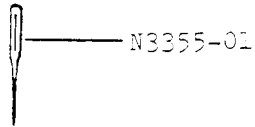
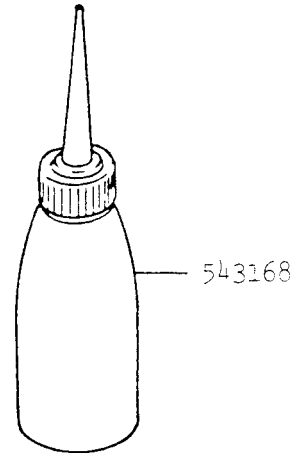
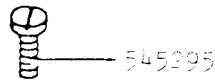
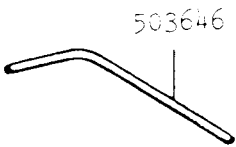
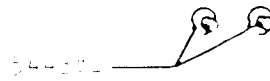
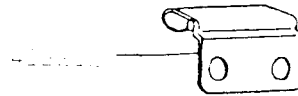
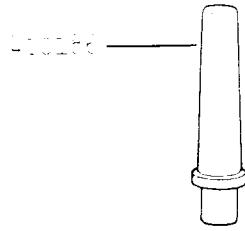
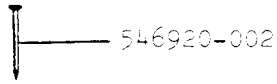
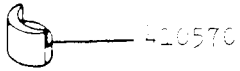
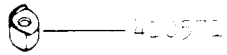
No.	212A141AA 541AA 539AA 211A166AA 566AA 567AB	Description
691-845	* * * * *	Throat Plate Screw
N3355-01	- - * - - -	Needle (135 x 17, #16) (2)
374456	* * * - - -	Needle Set Screw (2)
412039-008	* * * - - -	Throat Plate (1/8", 3.2 mm)
412039-012	* * * - - -	Throat Plate (3/16", 4.8 mm)
412039-016	* * * - - -	Throat Plate (1/4", 6.4 mm) (standard)
412039-020	* * * - - -	Throat Plate (5/16", 7.9 mm)
412039-024	* * * - - -	Throat Plate (3/8", 9.5 mm)
412266-088	* * * - - -	Feed Dog (1/8", 3.2 mm)
412253-012	* * * - - -	Feed Dog (3/16", 4.8 mm)
412254-016	* * * - - -	Feed Dog (1/4", 6.4 mm) (standard)
412254-020	* * * - - -	Feed Dog (5/16", 7.9 mm)
412254-024	* * * - - -	Feed Dog (3/8", 9.5 mm)
412484-008	- - * - - -	Needle Bar with 374456 (2) (1/8", 3.2 mm)
412484-012	- - * - - -	Needle Bar with 374456 (2) (3/16", 4.8 mm)
412484-016	- - * - - -	Needle Bar with 374456 (2) (1/4", 6.4 mm) (standard)
412484-020	- - * - - -	Needle Bar with 374456 (2) (5/16", 7.9 mm)
412484-024	- - * - - -	Needle Bar with 374456 (2) (3/8", 9.5 mm)
416700-008	- - * - - -	Lifting Presser Foot (1/8", 3.2 mm)
416700-012	- - * - - -	Lifting Presser Foot (3/16", 4.8 mm)
416700-016	- - * - - -	Lifting Presser Foot (1/4", 6.4 mm) (standard)
416701-020	- - * - - -	Lifting Presser Foot (5/16", 7.9 mm)
416701-024	- - * - - -	Lifting Presser Foot (3/8", 9.5 mm)
416702-008	- - * - - -	Vibrating Presser Foot with 549104 (1/8", 3.2 mm)
416702-012	- - * - - -	Vibrating Presser Foot with 549104 (3/16", 4.8 mm)
416702-016	- - * - - -	Vibrating Presser Foot with 549104 (1/4", 6.4 mm) (standard)
416703-020	- - * - - -	Vibrating Presser Foot with 549104 (5/16", 7.9 mm)
416703-024	- - * - - -	Vibrating Presser Foot with 549104 (3/8", 9.5 mm)
416756-452	* * * - - -	Attachment Slide Plate
419608-452	* * * - - -	Bed Slide (front) (1/8")
514056-452	* * * - - -	Bed Slide (front) (3/16", 1/4") (standard)
419610-452	* * * - - -	Bed Slide (front) (5/16")
419612-452	* * * - - -	Bed Slide (front) (3/8")
419609-452	* * * - - -	Bed Slide (back) (1/8")
514057-452	* * * - - -	Bed Slide (back) (3/16", 1/4") (standard)
419611-452	* * * - - -	Bed Slide (back) (5/16")
419613-452	* * * - - -	Bed Slide (back) (3/8")
544382-452	* * * - - -	Throat Plate Clamp Screw
544389-452	* * * - - -	Attachment Slide Plate Lock Screw
544399	* * * * * *	Feed Dog Screw (2)
549104	- - * * * *	Vibrating Presser Foot Pinch Screw



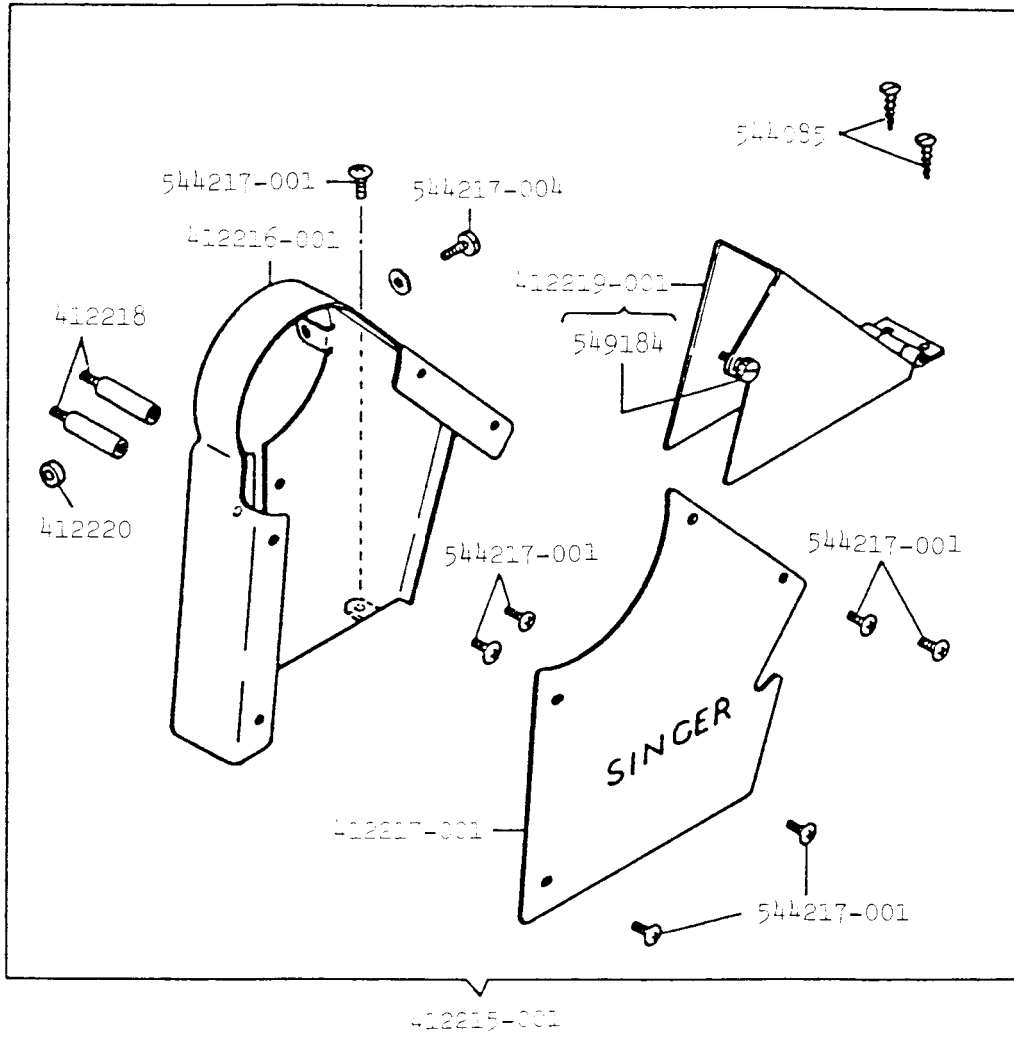
No.	212A141AA 541AA 539AA 211A166AA 566AA 567AB	Description
367388-453	* * * - - -	Thread Unwinder Complete 367601-453, 367609-453, 368480 (2), 411127-453, 411129-453, 411133, 411134 (3), 411138-453 (3), 411139 (3), 414486 (2), 414487 (2), 414488-453, 541166-004 (3), 543803-004 (3), 543805-004 (3), 546893 (3)
367601-453	* * * - - -	Thread Hanger Complete 367602-453, 411143 (3), 504029 (2)
367602-453	* * * - - -	Spool Holder
367602-453	* * * - - -	Thread Hanger
367609-453	* * * - - -	Spool Holder Complete 367602-453, 504029 (2)
368480	* * * * * *	Rubber Washer (2)
411127-453	* * * * * *	Column Pipe (upper)
411129-453	* * * * * *	Joint Complete 411130-453, 541183 (2), 544218-056 (2)
411130-453	* * * * * *	Joint
411133	* * * * * *	Column Pipe Cap
411134	* * * * * *	Spool Pin (3)
411138-453	* * * * * *	Spool Seat Disc (3)
411139	* * * * * *	Spool Cushion (3)
411143	* * * * * *	Thread Hanger Thread Eyelet (3)
414486	* * * * * *	Column Pipe Lock Nut (2)
414487	* * * * * *	Column Pipe Washer (2)
414488-453	* * * * * *	Column Pipe (lower)
504029	* * * * * *	Spool Holder Set Screw (2)
504029	* * * * * *	Thread Hanger Set Screw (2)
541166-004	* * * * * *	Spool Pin Lock Nut (3)
541183	* * * * * *	Joint Screw Nut (2)
543803-004	* * * * * *	Spool Pin Lock Nut Washer (3)
543805-004	* * * * * *	Spool Pin Lock Nut Spring Washer (3)
544218-056	* * * * * *	Joint Screw (2)
546893	* * * * * *	Spool Guide (3)



No.	212A141AA 541AA 539AA 211A166AA 566AA 567AB	Description
224411	* * * * *	Knee Lifter Connection Lever Lifting Rod Roller
410592	* * * * *	Knee Lifter Rock Lever Joint Complete 410594, 410595, 504105, 544212-051
410594	* * * * *	Knee Lifter Rock Lever Joint Body
410595	* * * * *	Knee Lifter Rock Lever Joint Spring
412067	* * * * *	Knee Lifter Connection Lever Lifting Rod Roller Complete 224411, 412068, 544355
412068	* * * * *	Knee Lifter Connection Lever Lifting Rod Roller Bracket with 549104
414116	* * * * *	Knee Lifter Rock Lever Knee Plate Cushion
414666	* * * * *	Knee Lifter Rock Lever Knee Plate Holder Screw
414733	* * * * *	Knee Lifter Rock Shaft Bracket Bolt (2)
417253	* * * * *	Knee Lifter Complete 410592, 414733 (2), 417254, 417263, 543803-006 (2)
417254	* * * * *	Knee Lifter Rock Shaft Bracket Complete 417255, 417256, 417258, 417260, 417262
417255	* * * * *	Knee Lifter Rock Shaft Bracket
417256	* * * * *	Knee Lifter Rock Shaft
417258	* * * * *	Knee Lifter Rock Shaft Lifting Arm Complete 417259, 504105
417259	* * * * *	Knee Lifter Rock Shaft Lifting Arm
417260	* * * * *	Knee Lifter Rock Shaft Stop Complete 417261, 504105
417261	* * * * *	Knee Lifter Rock Shaft Stop
417262	* * * * *	Knee Lifter Rock Shaft Spring
417263	* * * * *	Knee Lifter Rock Lever Complete 414116, 414666, 417264
417264	* * * * *	Knee Lifter Rock Lever
504105	* * * * *	Knee Lifter Rock Shaft Lifting Arm Set Screw
504105	* * * * *	Knee Lifter Rock Shaft Stop Set Screw
504105	* * * * *	Knee Lifter Rock Lever Set Screw
543803-006	* * * * *	Knee Lifter Rock Shaft Bracket Washer (2)
544212-051	* * * * *	Knee Lifter Rock Lever Joint Spring Set Screw
544355	* * * * *	Knee Lifter Connection Lever Lifting Rod Roller Hinge Screw
549104	* * * * *	Knee Lifter Connection Lever Lifting Rod Roller Pinch Screw



No.	212A141AA 541AA 539AA 211A166AA 566AA 567AB	Description
N3355-01	- - * - - -	Needle (135 x 17, #16) (5)
350708	* * * * *	Drip Pan Screw Nail (7)
410186	* * * * *	Machine Rest Pin
410570	* * * * *	Machine Rest (front) (2)
410571	* * * * *	Machine Rest (back) (2)
412212	* * * - - -	Machine Hinge Connection (2)
414407	* * * * *	Machine Cover
503646	* * * * *	Wrench (3/32 inch. hexagon)
503933	* * * * *	Drip Pan
510007	- * * - * *	Bobbin (4)
540523	* * * * *	Machine Hinge Connection Cushion (2)
541514	* * * * *	Screw Driver (small)
543168	- - * * * *	Oiler (130 cc, C type)
544381	* * * - - -	Machine Hinge Connection Screw (4)
544388	* * * - - -	Attachment Screw (large)
545295	* * * * *	Attachment Screw (small)
546920-002	* * * * *	Nail (4)
548701	* * * * *	Screw Driver (long)



No.	212A141AA 541AA 539AA 211A166AA 566AA 567AB	Description
412215-001	* * * * *	Belt Guard Cpl. 412216-001, 412217-001, 412218 (2), 412219-001, 412220, 544085 (2), 544217-001 (7), 544217-004
412216-001	* * * * *	Belt Guard
412217-001	* * * * *	Belt Guard Plate
412218	* * * * *	Belt Guard Screw Stud (2)
412219-001	* * * * *	Belt Guard (lower) with 549184
412220	* * * * *	Belt Guard Screw Collar
544085	* * * * *	Belt Guard (lower) Wood Screw (2)
544217-001	* * * * *	Belt Guard Screw (3)
544217-001	* * * * *	Belt Guard Plate Screw (4)
544217-004	* * * * *	Belt Guard Screw (long)
549184	* * * * *	Belt Guard (lower) Thumb Screw